

# FESTO

Festo AG & Co. KG

Rüter Straße 82  
73734 Esslingen  
Germany  
+49 711 347-0  
www.festo.com

## Sub-base VABS-S7-S-G14

### 1. Further applicable documents

All available documents on the product → [www.festo.com/pk](http://www.festo.com/pk)

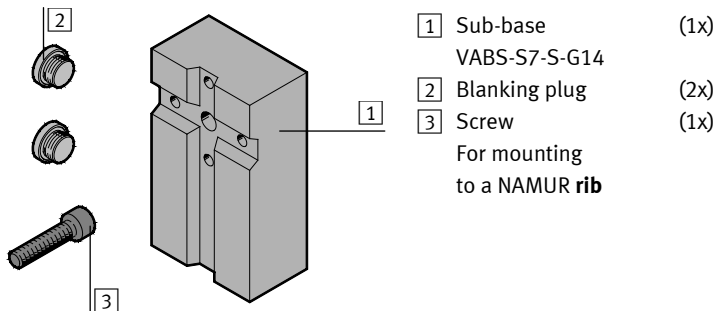
### 2. Safety

- Switch off compressed air before mounting work.

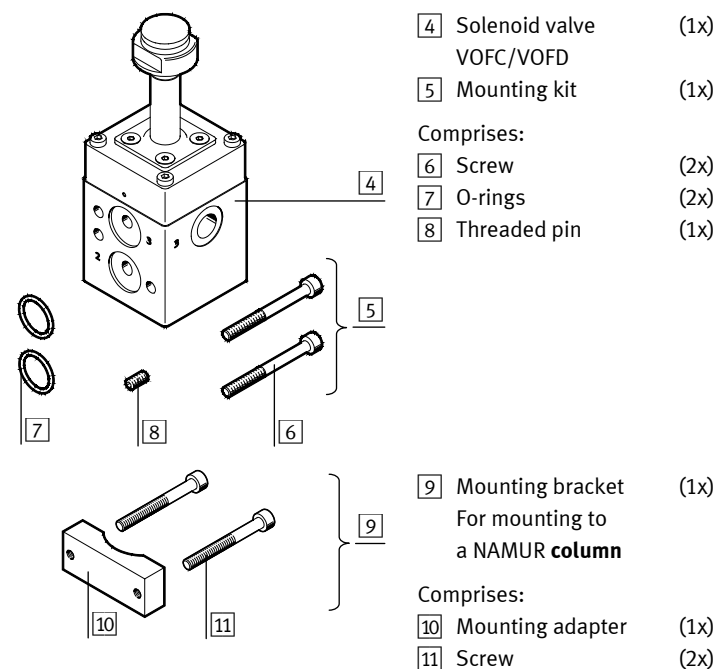
### 3. Intended use

Connector between a solenoid valve VOFC/VOFD with a NAMUR port pattern according to VDI/VDE 3845 Part 1:2010-09 and a NAMUR rib or NAMUR column for lift drives.

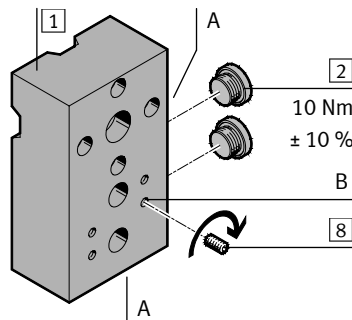
### 4. Scope of delivery



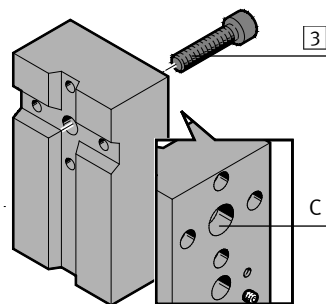
### 5. Not in scope of delivery



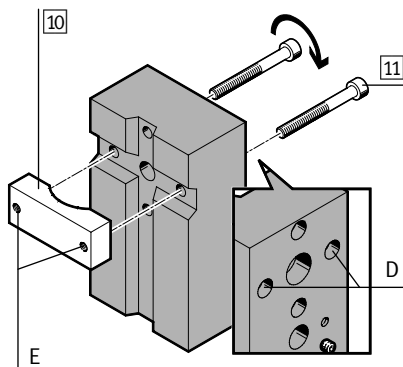
### 6. Mounting



- Screw both blanking plugs **2** into the thread (A). Observe the tightening torque.
- Screw the threaded pin **8** into the thread (B).



- For mounting to a NAMUR rib
- Push the screw **3** through the drill hole (C).

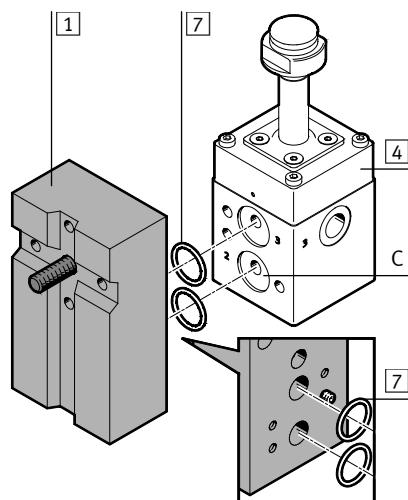


- For mounting to a NAMUR column (alternative)
- Push the screws **11** through the drill holes (D).
- Screw the screws into the thread (E) of the mounting adapter **10**.

### **i** Information

The solenoid valve **4** can also be mounted rotated downwards by 180°.

- Press O-rings **7** into the depressions (C) of the solenoid valve **4**.
- Place the solenoid valve **4** on the sub-base **1**.



- Tighten screws **6**. Observe the tightening torque.

