

# Stainless steel filter regulator PCRP

FESTO



## For harsh environments

### Highlights

- Complete stainless steel design
- Flow rate up to 4,115 l/min
- Extremely wide temperature range from -60 to +80 °C
- UV-resistant
- Reliable manual drain
- Suitable for potentially explosive areas

In corrosive atmospheres or extreme temperatures from -60 °C to +80 °C, the extremely robust filter regulator PCRP performs well, offering high flow rates and reliable pressure control. The housing and interior are entirely made of premium stainless steel to ensure high corrosion resistance. The PCRP series is available in sizes ¼" and ½" with G or NPT threads.

### Extremely robust for extreme conditions

The stainless steel 316L housing meets all material requirements to NACE MR0175. This guarantees a high level of corrosion resistance even in hydrogen sulphide environments, such as in the petrochemical sector. Thanks to UV resistance and a temperature range of -60 to +80 °C, the filter regulator can easily survive outdoor use in any climate.

### Reliably powerful

The filter regulator has impressively stable pressure control characteristics with constant and high flow rates of up to 4,115 l/min. The patented seal technology protects against back flow and ensures reliable exhausting – no special components needed!

### Explosion protection included

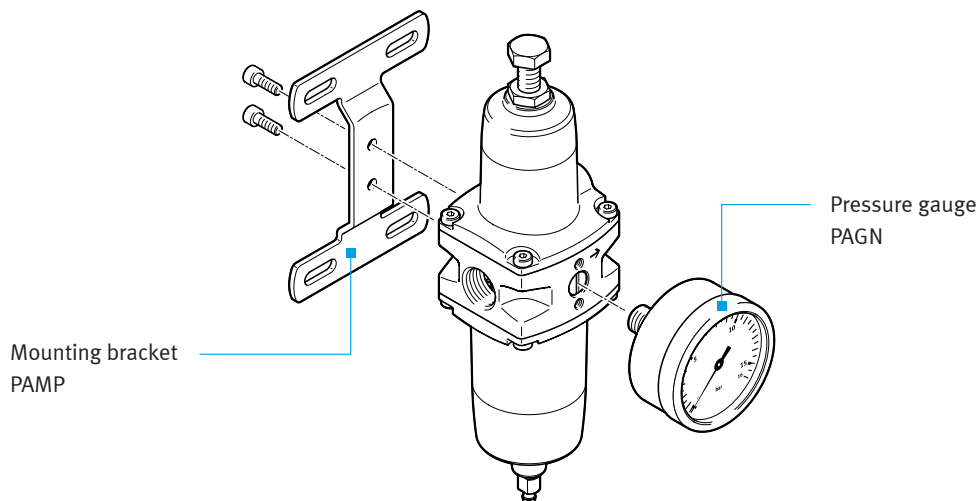
The series PCRP is suitable for use in potentially explosive atmospheres, zones 1, 2, 21 and 22.

# Stainless steel filter regulator PCRP

## Easy to mount

Mounting the filter regulator PCRP is extremely easy; just fix it onto the mounting bracket using two screws. Then there is just the pressure gauge that needs to be mounted.

## Mounting components and accessories



## Technical data

Characteristics	Values
Pneumatic connection	1/4" and 1/2" in G and NPT
Flow rate [l/min]	Up to 4,115
Operating medium	Compressed air to ISO 8573-1:2010 [6:4:4] (grade of filtration 5 µm) Compressed air to ISO 8573-1:2010 [7:4:4] (grade of filtration 40 µm) Inert gas
Operating pressure [bar]	1 ... 20
Pressure regulation range [bar]	0.5 ... 7 0.5 ... 12
Ambient temperature [°C]	-60 ... +80
Grade of filtration [µ]	5 and 40
Condensate drain	Manual rotary
Material	Stainless steel 316L
Conformity	NACE MR0175