

Twin cylinder DGTZ

FESTO



Meets your needs.

Highlights

- Compact design
- Symmetrical interfaces
- Good adjustability
- Long service life
- Festo quality at an attractive price

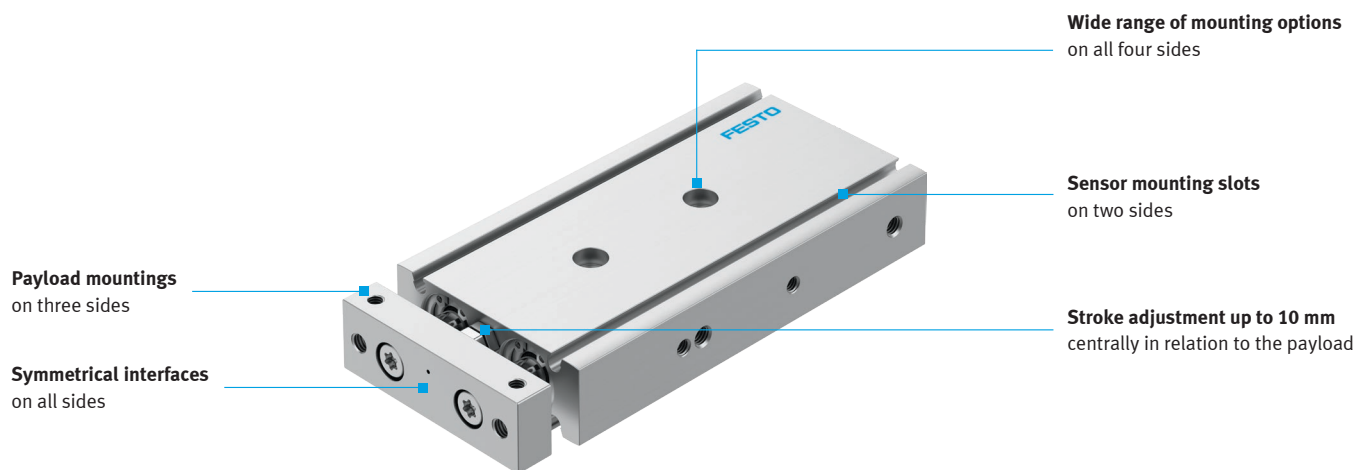
Increasing our customers' productivity is a clear objective of Festo as a company. You told us where your pinch points are. As a solution to meet your requirements, we have developed the space-optimised twin cylinder DGTZ.

We are in contact with our customers in a variety of ways. Many expressed a great need for compact components to save lots of space and create more room for the actual manufacturing object. To simplify the design

process for your systems, we addressed your requirement and came up with the twin cylinder DGTZ. It is easy to order, easy to incorporate into your system design and also easy to operate.

Twin cylinder DGTZ

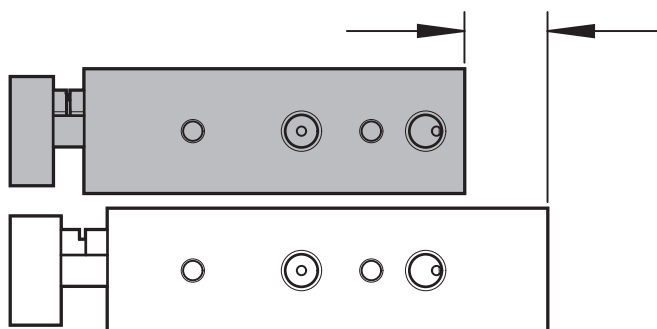
Features of the DGTZ



Small but perfectly formed

The compact DGTZ

- Shorter overall length
- Flat, narrow and short – this design is the perfect fit



Technical data

DGTZ					
Nominal size	10	16	20	25	32
Fixed strokes	10, 20, 30, 40, 50, 60, 70, 80	10, 20, 30, 40, 50, 60, 70, 80, 90, 100			
Actuation type	Double-acting				
Cushioning	P (elastic cushioning rings/plates at both ends)				
Sensor slot	C-slot			T-slot	
Guide	GF: Plain-bearing guide				
Yoke plate type	Yoke plate at one end				