

Suction cup OGVM

FESTO



Faster and safer!

Highlights

- Absorbs high lateral forces
- High inherent stability during suction
- Anti-slip supports for maximum grip
- Broad range of applications, numerous different versions
- UV-resistant to EN 60654-1
- Ozone-resistant to ISO 1431-1
- PWIS-free

Oiled sheet metal? No problem! Thanks to its special anti-slip structure, the robust suction cup OGVM has a good grip on everything. Its surface is perfect for extremely dynamic feeding and unloading of sheet metal components, for example in the automotive industry and for the production of white goods. The high-quality grip also reduces cycle times.

Strong and flexible profile

The anti-slip supports work like the tread pattern on a set of winter tyres, equipping the suction cup with optimum retention forces even when subjected to strong lateral forces. The suction cup's flexible and highly adjustable geometry also means it forms a reliable vacuum on a very wide range of surfaces. The vulcanised threaded connection prevents any leakage.

Always the right suction cup

Whether used on their own or as part of a spider gripper for large, heavy metal sheets, our range of flat, bellows, bell-shaped and oval suction cups allows you to move any component treated with deep-drawing oils quickly and safely. They are also available in heat-resistant HNBR and can be combined with our current suction mounting range VAL.

Very efficient and economical

The new profile generates very strong retention and lateral forces, allowing you to reduce the number of suction cups used or achieve higher cycle speeds using less energy.

Suction cup OGVM

Which suction cup can be used when?

The following suction cups OGVM are available in round or oval versions, and in a range of sizes:



Flat suction cups: for straight components



Bell-shaped suction cups: for slightly curved components

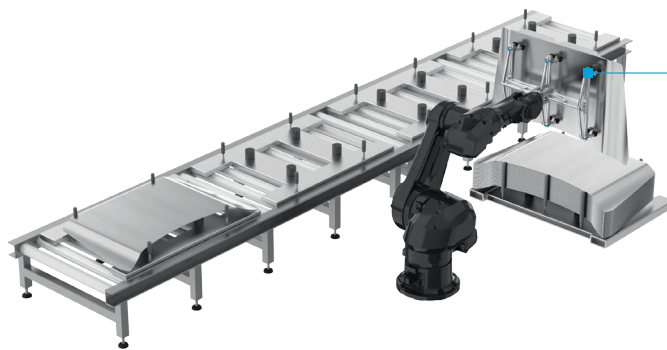


Bellows suction cups: for highly curved components

Maximum machine utilisation

Wherever manufacturing processes in the automotive and metal industries involve components being handled using a vacuum, maximum machine utilisation is key for cost-optimised production. The special structure of the inside of the suction cups enables them to absorb extremely high lateral forces, which is crucial for ensuring maximum retention of oiled surfaces. This leads to more reliable processes and higher productivity

thanks to reduced cycle times, making operating your equipment significantly more cost-effective.



A good grip: thanks to their special profile, our suction cups OGVM have a firm grasp. All the suction cups in the range are easy to fit, and just as easy to replace, if required.

Technical data	
Suction cup diameter	Ø 20 – Ø 125 mm and oval models
Suction cup material	NBR (black) HNBR (grey)
Material hardness	NBR Shore 60 HNBR Shore 60
Vacuum connection	G¼ with female thread
Vacuum connection material	Aluminium alloy
Suction cup shapes	Flat suction cup, round Bell-shaped suction cup, round Bellows suction cup with 1.5 convolutions, round Flat suction cup, oval Bell-shaped suction cup, oval Bellows suction cup with 1.5 convolutions, oval
Ozone resistance	To ISO 1431-1 A
PWIS compliance	PWIS-free to VDMA-24364-A1