

DGC – a new generation of rodless cylinders

FESTO



Precise + highly loadable

The new benchmark for precision, reliable guidance and high load capacity. And, moreover, an excellent price-performance ratio.

The products

DGC 8 – 63, new rodless linear drives, with plain bearing or re-circulating ball guides, and with the option of shock absorbers and a second slide. A common feature of all variants is improved guidance quality and higher characteristic load values and torque capacity.

More compact, higher-performance machines

Thanks to minimised installation space requirements and proximity sensors integrated into the cylinder profiles.

Faster installation

All accessible from the same side: end-position fine adjust-

ment, sensor, mounting, air connections and pneumatic end-position cushioning.

Optimised mounting facilities

There is a choice of foot mountings or profile mountings. The latter allow the cylinder to be mounted by means of a dovetail slot directly on the profile. The results: sturdy mounting plus easy installation and replacement.

A strong feature

Precise mounting interfaces with centring rings on the slide made of stainless steel and end caps with integrated shock-absorber brackets.



Precision interfaces,

easy to install,

high load capacity, durable!

119.2.PSI →

Product Short Information

DGC – a new generation of rodless cylinders



Modern drives – Systematically cost-effective

Product range overview	
Stroke range (KF)	1 ... 5000 mm*
Guide variants	Basic version
	Plain bearing guide
	Recirculating ball bearing guide
	Passive guide axis with recirculating ball bearing guide
Additional options	Protected version with recirculating ball bearing guide
	Additional slide Left/right
	Flexible moment compensator
	End stops in any position
	Intermediate position module

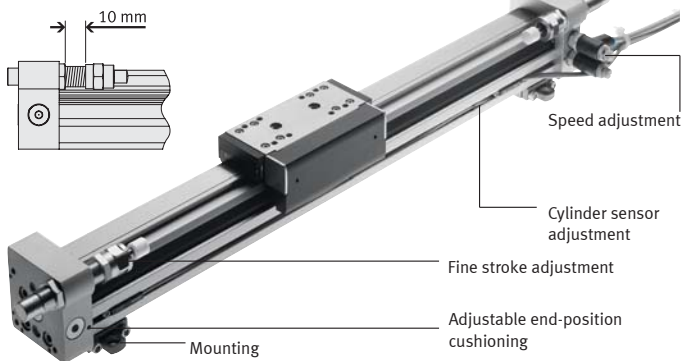
* Longer strokes on request



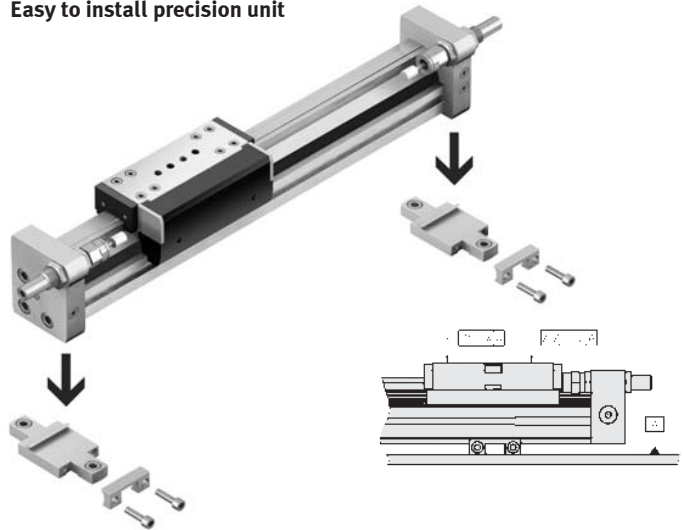
Flexible moment compensator

End stop in any position

All operator controls accessible from the same side



Easy to install precision unit



Wide choice of air connection options as standard

Festo AG & Co. KG

Ruiter Strasse 82
 73734 Esslingen
 Internet www.festo.com
 Tel. ++49 (0)711 347-0
 Fax ++49 (0)711 347-2144
 E-mail service_international@festo.com

Subject to change

080207