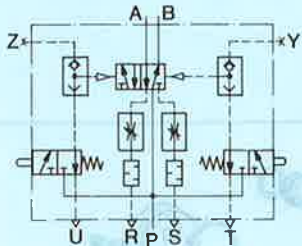


Pneumatically/mechanically actuated valve

with facility for adding manual operation

Type A-5-1/4

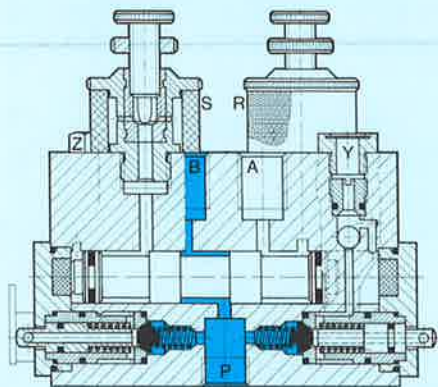


Accessory:

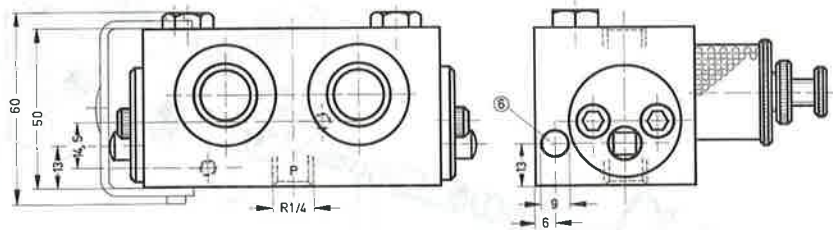
Switch lever kit for manual operation
Order Code 4679
consisting of manual lever, pivot pins,
torsion spring and retaining rings.

This control valve is suitable for use with cylinders for single-stroke and oscillation movements with various methods of actuation (manual, mechanical or pneumatic).

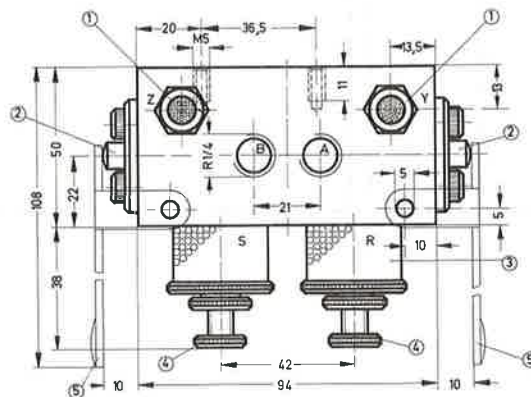
The valve consists of a 5/2-way pilot valve, 2 built-in 3/2-way valves, 2 throttle valves for the exhaust air, 2 silencers and 2 OR elements.



The valve can be reversed as desired, either manually by means of the switch lever, mechanically via switching stems by actuating the built-in 3/2-way valves, or pneumatically by means of a signal to port Y or Z. The speed of the advance and return strokes of a cylinder is controlled by exhaust port flow control and can be set on the two regulator screws.



9



Note:
With pneumatic actuation, the plug with protective filter must be removed from the relevant pilot port Y or Z.

- ① Port G 1/8 for pneumatic actuation
- ② Switching stems for add-on manual operation and mechanical actuation
- ③ Silencers
- ④ Regulator screw for exhaust
- ⑤ Switch lever, on left or right as desired
- ⑥ Through-hole

- (P) = Supply port
- (A, B) = Working or outlet lines
- (R, S) = Exhaust
- (Y, Z) = Pilot lines

Order code	Part No./Type	4436 A-5-1/4
Medium		Compressed air, filtered, lubricated
Design		Slide valve
Mounting		Through-holes in housing
Connection	Working lines	G 1/4
	Pilot lines	G 1/8
Nominal size		7 mm
Standard nominal flow rate (P→A)		700 l/min (basic valve)
Operating pressure range		0 to 10 bar
Pilot pressure range		2 to 10 bar
Actuation force at 6 bar operating pressure		50 N (5 kp)
Temperature range		-10 to +60° C
Materials		Housing: hard anodized aluminium; seals: perbunan
Weight		0.770 kg

Wearing parts kit

For type	A-5-1/4
Order code	104 114

