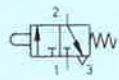
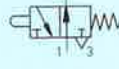


Micro valve
Type S-3-PK-3-B



Type SO-3-PK-3-B

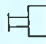


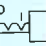
The external dimensions of these valves meet the specifications of DIN 41 635, Form A. It should, however, be noted that the switching point is different. It is pressure-dependent, and varies by up to 0.8 mm in the pressure range from 0 to 6 bar.

The switching point must not be exceeded by more than 0.5 mm.

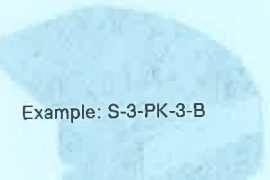
The valve can be actuated only at right angles to the axis of the stem. If the angle deviates by $\pm 5^\circ$, valve actuators must be used.

Valve actuators:

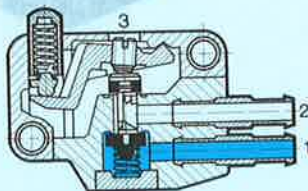
Pushbutton, Type AT-06-B 

Toggle lever, Type AH-06-B 

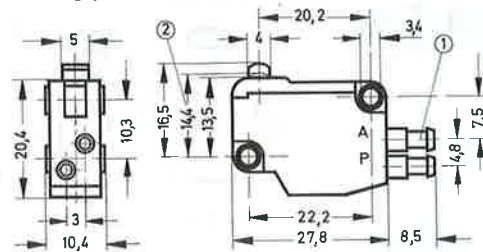
Mounting bolts and nuts are included.



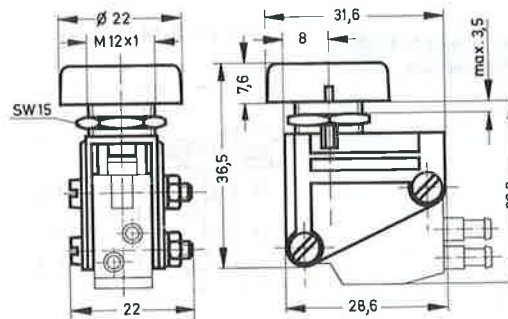
Example: S-3-PK-3-B



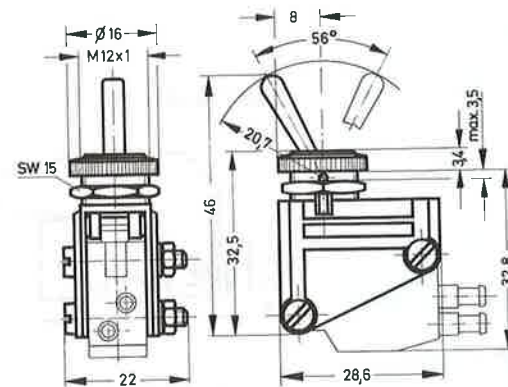
Type S-3-PK-3-B
SO-3-PK-3-B



Type AT-06-B



Type AH-06-B



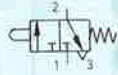
- ① Barbed fittings for 3 mm plastic tubing
- ② Switching point, min.
- ③ Direction of actuation

- 1 (P) = Supply port (or vacuum)
- 2 (A) = Working or outlet line
- 3 (R) = Exhaust

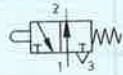
Order code	Basic valve	7843 S-3-PK-3-B	10 403 SO-3-PK-3-B	—	—
Part No./Type	Valve actuators	—	—	10 398 AT-06-B	10 399 AH-06-B
Medium	Compressed air (filtered, lubricated or unlubricated) can be used for vacuum*				
Design	Poppet valve, directly actuated in one direction with return spring				
Mounting	2 through-holes in housing				
Connection	Barbed fittings for 3 mm plastic tubing				
Nominal size	0.8 mm		2.3 mm		
Standard nominal flow rate (P→A)	60 l/min				
Pressure range	−0.95 to 8 bar				
Actuating force at 6 bar operating pressure	6 N (0.6 kp)			10 N (1 kp)	
Temperature range	−10 to +60 °C				
Materials	Plastic, brass			Galvanized steel	
Weight	0.007 kg			0.025 kg 0.030 kg	

* Vacuum connected to P

Micro valve, stem actuated
Type S-3-PK-3-B



Type SO-3-PK-3-B



The external dimensions of these valves meet the specifications of DIN 41 635 form A. It should be noted that the switching point varies.

The switching point is pressure-dependent and varies up to 0.8 mm in the pressure range from 0 to 8 bar.

The maximum by which the switching point may be exceeded is 0.5 mm.

The valve may not be used as a fixed stop.

The valve can only be actuated at right angles to the axis of the stem. If the angle deviates by $\pm 5^\circ$, valve actuators must be used.

Valve actuators:

Roller lever type AR-06-B
with mounting screws



Roller lever with idle return
type AL-06-B
with mounting screws



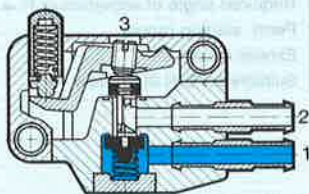
Whisker actuator
Type AF-06-B



Accessory:

Mounting plate type MPL-04

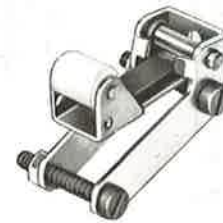
Example: Type S-3-PK-3-B



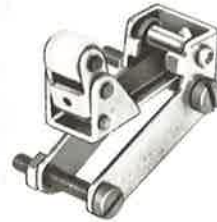
Type S-3-PK-3-B
SO-3-PK-3-B



Type AR-06-B



Type AL-06-B



Type AF-06-B

The whisker can be shortened to the required length.

Type MPL-04

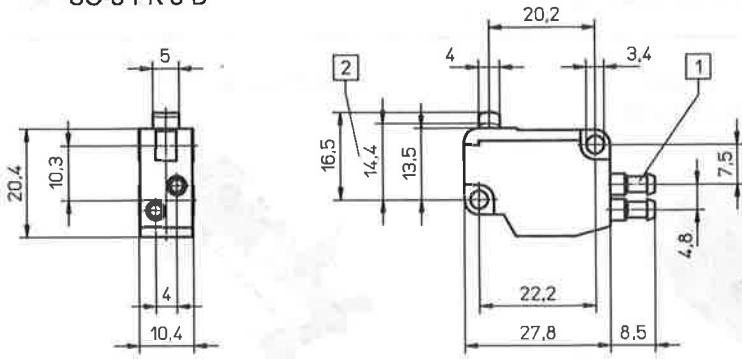


1 (P) = Supply port
2 (A) = Working or outlet line
3 (R) = Exhaust

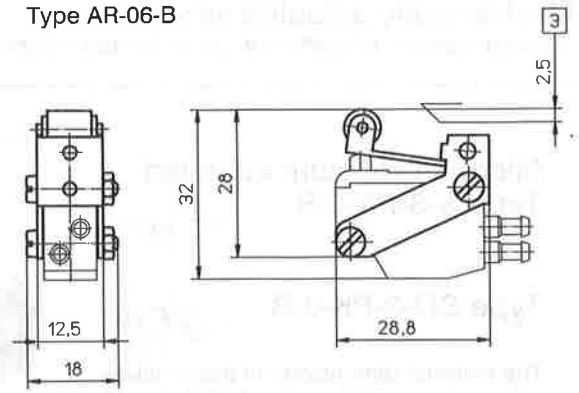
Order code	Basic valve	7843	10403	-	-	-	-
Part no./type		S-3-PK-3-B	SO-3-PK-3-B				
	Valve actuators	-	-	10098 AR-06-B	10099 AL-06-B	11237 AF-06-B	4903 MPL-04
Medium	Compressed air filtered, (lubricated or unlubricated) or vacuum*						
Design	Poppet valve, directly actuated in one direction with return spring						
Mounting	Two through-holes in housing or mounting plate						
Connection	Barbed fittings for 3 mm plastic tubing						
Nominal size	0.8 mm		2.3 mm				
Standard nominal flow rate (1 → 2)	60 l/min						
Pressure range	- 0.95 to + 8 bar						
Actuating force at 6 bar operating pressure	6 N (0.6 kp)		6.5 N (0.65 kp)		10 N (1 kp)		
Temperature range	- 10 to + 60° C						
Materials	Plastic, brass			Steel, galvanized		Polyacetal	Aluminium, anodized
Weight	0.007 kg		0.014 kg		0.015 kg	0.010 kg	0.014 kg

* Vacuum connection at P

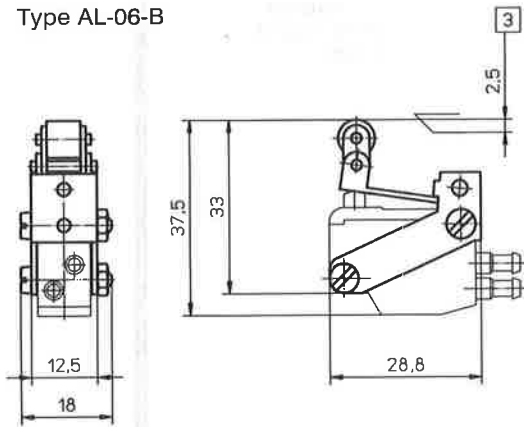
Type S-3-PK-3-B
SO-3-PK-3-B



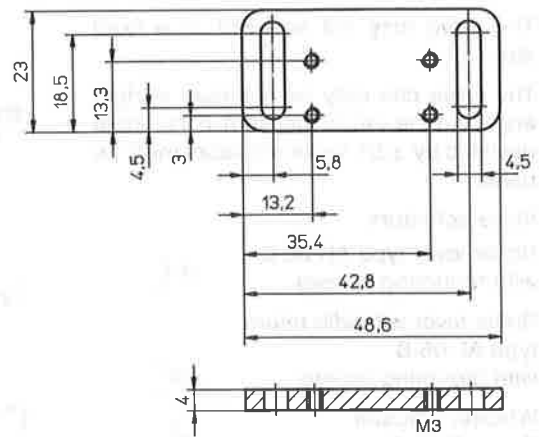
Type AR-06-B



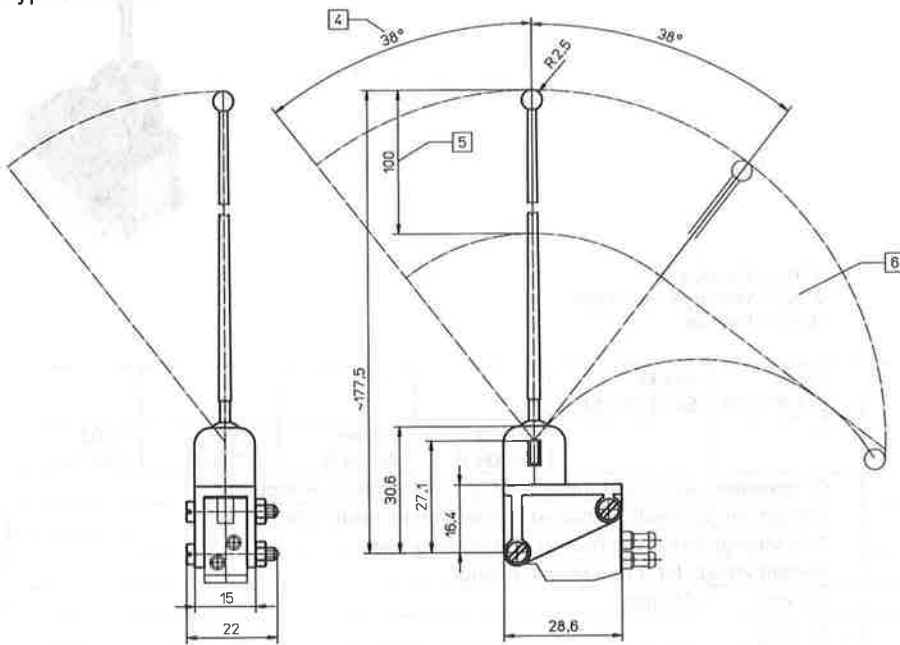
Type AL-06-B



Type MPL-04



Type AF-06-B



- 1 Barbed fitting for 3 mm plastic tubing
- 2 Min. switching point
- 3 Switching path
- 4 Required angle of activation at P = 8 bar
- 5 Perm. starting range
- 6 Excess stroke
- 7 Suitable for DIN 963 screw

Installation variant

