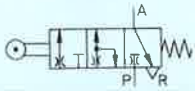


Limit valve
with ball actuator

Type SDK-3-PK-3
SDK-4-PK-3



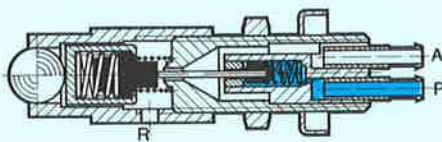
Mounting block
Type SDA-...-B

These valves are used as limit switches and end stops to produce a position-dependent signal. They can be actuated by a perpendicular force (end stop) or a force parallel to the face.

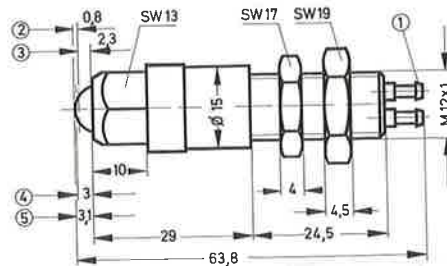
They are particularly suitable for end-position sensing and position monitoring where a high degree of accuracy is required. The valve has a movable stem with a seal, which is actuated by the ball.

When the valve is not actuated, the seal closes the nozzle. When the ball is actuated, compressed air is discharged to atmosphere until the nozzle is closed. A signal now builds up at output A to the level of the supply pressure.

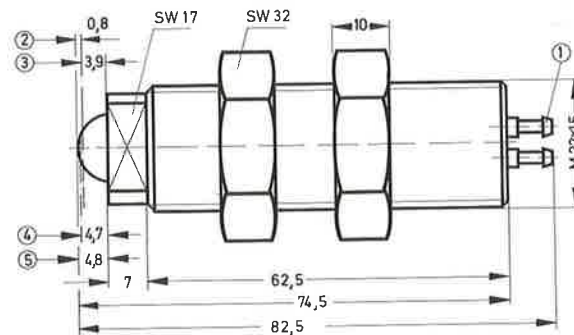
The permissible impact load (when the valve is used as a fixed stop) must not be exceeded.



Type SDK-3-PK-3



Type SDK-4-PK-3



- ① Barbed fittings for 3 mm plastic tubing
port P black, A yellow
- ② Switching path
- ③ Overstroke
- ④ Switching point (open at start)
- ⑤ Rest position

- 1 (P) = Supply
- 2 (A) = Outlet
- 3 (R) = Exhaust

Permissible impact force

Type	Threaded into SDA in and secured by locknut ($v = < 10 \text{ mm/s}$)	Through-hole with 2 securing nuts ($v = < 10 \text{ mm/s}$)
SDK-3-PK-3	4 500 N (450 kp)	2 000 N (200 kp)
SDK-4-PK-3	24 000 N (2400 kp)	12 000 N (1200 kp)

Order code	Valve	8714 SDK-3-PK-3	10033 SDK-4-PK-3
Part No./Type	Mounting block	11541 SDA-12 x 1-B	11543 SDA-22 x 1.5-B
Medium	Compressed air (filtered, lubricated or unlubricated)		
Design	Seat valve, with overlap		
Mounting		M 12 x 1 with securing nuts	M 22 x 1.5 with securing nuts
Installation dia.		12.5 mm	22.5 mm
Connection	Barbed fittings for 3 mm tubing		
Nominal size	2.5 mm (flow control 0.5 mm)		
C_v factor	16 l/min		
Supply pressure range at P	0 to 8 bar		
Signal pressure range at A	0 to supply pressure		
End position accuracy	$\pm 0.03 \text{ mm}$		
Actuating force at 6 bar		12 N (1.2 kp)	17 N (1.7 kp)
Transfer force at 6 bar		25 N (2.5 kp)	30 N (3 kp)
Temperature range	-10 to +80 °C		
Materials	Stainless steel; seals: Buna N		
Weight	Valve	0.050 kg	
	Mounting block	0.180 kg	0.480 kg

* depending on the tubing used

Mounting block Type SDA-...



Type	B ₁	B ₂	D ₁	D ₂ dia.	D ₃ dia.	D ₄ dia.	H ₁	H ₂	L ₁	L ₂	L ₃ P9	T ₁	T ₂
SDA-12 x 1-B	27	14	M 12 x 1	11	6.6	5.8	20	10	40	27	6	6.8	2
SDA-22 x 1.5-B	50	28	M 22 x 1.5	20	14	11.8	35	20	70	46	12	13	3.2

