

**3/2-way basic valve
Type SV-3-M 5 (spring return)
with actuators
for panel mounting**

Valve actuators with standard dias. 22.5 or 30.5 mm can be mounted on this valve.

A reliable quick coupling system permits rapid assembly and disassembly of the actuator.

The valve actuators can also be mounted on 5/2-way valves (see sheet 2.155).

Accessories:

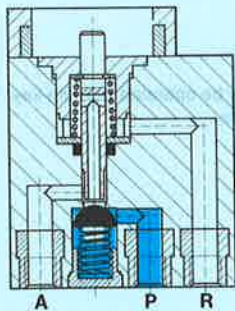
**Inscription labels, Type BZ
(DIN 1451)**



Design: anodized aluminium, height of letters 6 mm

See sheet 6.315 for order code

Basic valve: Type SV-3-M 5



Basic valve for panel mounting
Type SV-3-M 5



Mushroom push-button actuator
Type P-22-S



Selector actuator
Type N-22-S



Pushbutton actuator



Type T-22-S
T-22-G
T-22-R

T-30-S
T-30-G
T-30-R



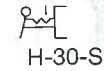
Impact head with detent.



Type PR-22-R PR-30-R
* disengage by turning the head.



Toggle actuator
Type H-22-S



Impact head with detent, key return
Type PRS-22-R PRS-30-R



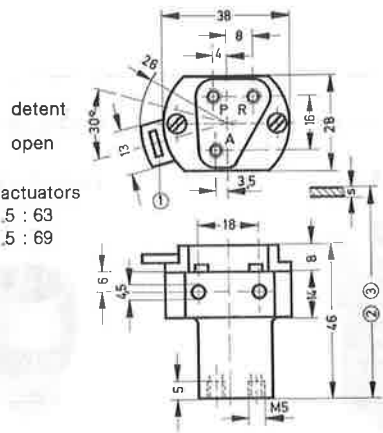
Lock and key actuator for
Type Q-22



Order code	Basic valve	6817 SV-3-M 5
Part. No./Type	Valve actuators	See table overleaf
Medium		Compressed air (filtered, lubricated or unlubricated) can be used for vacuum*
Design		Poppet valve, directly actuated in one direction, with return spring
Mounting		Panel mounting (installation dia. 22.5 and 30.5 mm), also 2 through-holes
Connection		M 5
Nominal size		2 mm
Standard nominal flow rate (P→A)		65 l/min
Pressure range		– 0.95 to 8 bar
Actuating force at 6 bar operating pressure		12 N (≈ 1.2 kp), with valve actuators – see overleaf
Temperature range		– 10 to + 60 °C
Materials		Housing: plastic; valve stem: brass; seals: perbunan
Weight		0.040 kg

*Vacuum connected to P

Basic valve
Type SV-3-M 5

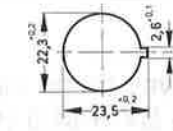


- ① Quick latching coupler for valve actuators
 - ② Installation dimension for dia. 22.5 : 63
 - ③ Installation dimension for dia. 30.5 : 69
- s = Thickness of panel

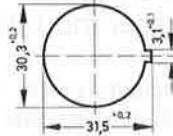
P = Supply port (or vacuum)
A = Working or outlet line
R = Exhaust

Installation opening

Installation dia. 22.5



Installation dia. 30.5



Valve actuators

Type T-22

P-22

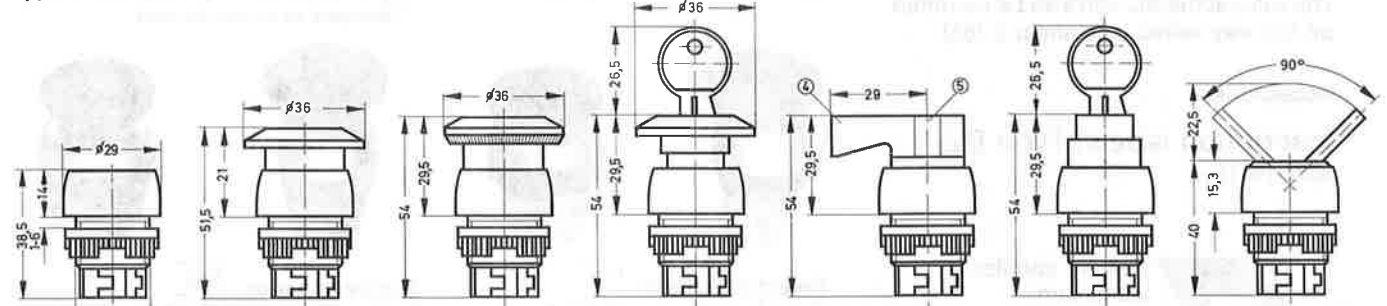
PR-22

PRS-22

N-22

Q-22

H-22



Type T-30

P-30

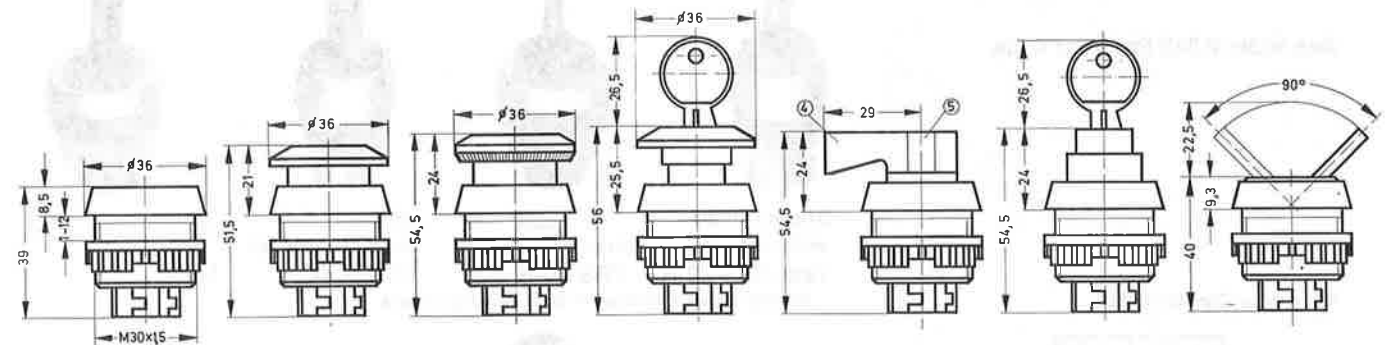
PR-30

PRS-30

N-30

Q-30

H-30



Type PR: The actuator is unlatched by turning the mushroom pushbutton.

Type N: ④ Off, ⑤ On

Type PRS: After it has been pressed, the actuator remains locked and can only be unlocked with the key. The key can be withdrawn in both switch positions.

Type Q: The key actuator can only be operated with the key. The key can be withdrawn in both switch positions.

Valve actuators

Order code		Colour	Actuating force at 6 bar operating pressure	Weight kg
Part No.	Type			
9289	T-22-S	Black	14 N (≈ 1.4 kp)	0.016
9290	T-22-G	Yellow		
9997	T-22-R	Red		
9293	P-22-S	Black	14 N (≈ 1.4 kp)	0.020
9297	PR-22-R	Red	25 N (≈ 2.5 kp)	0.026
9299	PRS-22-R	Red	23 N (≈ 2.3 kp)	0.083
9301	N-22-S	Black	40 Ncm (≈ 4.0 kpcm)	0.021
9303	Q-22		23 N (≈ 2.3 kp)	0.080
9305	H-22-S	Black	14 Ncm (≈ 1.4 kpcm)	0.019
9291	T-30-S	Black	14 N (≈ 1.4 kp)	0.022
9292	T-30-G	Yellow		
10014	T-30-R	Red		
9295	P-30-S	Black	14 N (≈ 1.4 kp)	0.028
9298	PR-30-R	Red	25 N (≈ 2.5 kp)	0.037
9300	PRS-30-R	Red	23 N (≈ 2.3 kp)	0.091
9302	N-30-S	Black	40 Ncm (≈ 4.0 kpcm)	0.030
9304	Q-30		23 N (≈ 2.3 kp)	0.088
9306	H-30-S	Black	14 Ncm (≈ 1.4 kpcm)	0.027