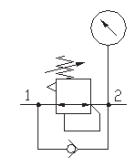
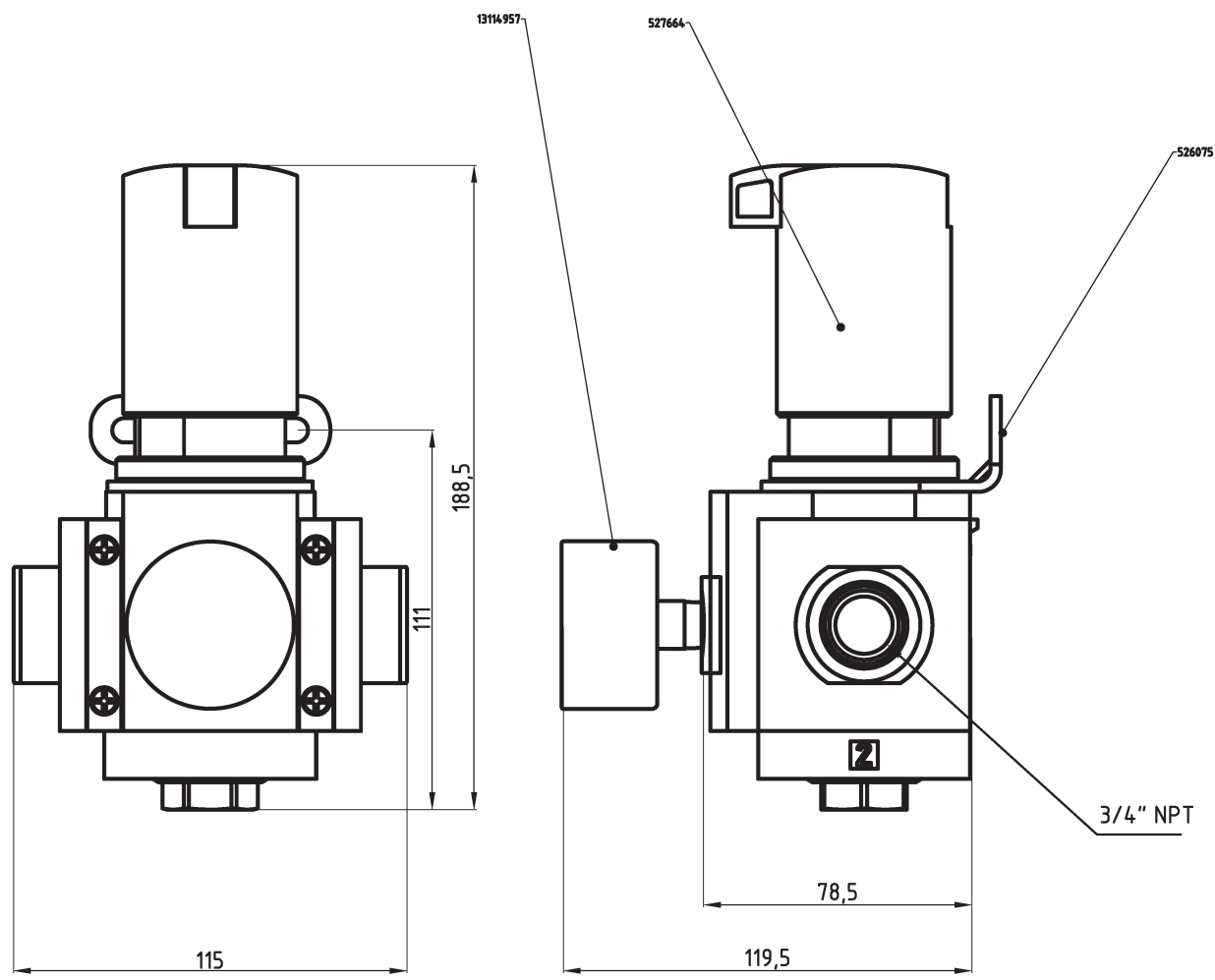


QTY	PT NO	TYPE	DESCRIPTION
1	527664	MS6N-LR-AQS-D6-A4-AS	PRESSURE REGULATOR
1	13114957	MA-50-150-R1/4-PSI/BAR	RED/GREEN PRESSURE GAUGE
1	526075	MS6-WR	WALL MOUNT

DIRECTION OF FLOW  
LEFT TO RIGHT



13121101 3/4" NPT REGULATOR

AUTOCAD drawing ASY Unless otherwise specified dimensions are in mm.

13121101		Rev.		Revision number		Qty.	Date	Name
3/4" NPT REGULATOR		a		AS PER		2		USPVGA
W/ GAUGE & BRACKET		Type: MS-SERIES ASY						
F-US	Date	Name	Material					
sign		USPVGA	<b>FESTO</b>					
check								
appr.								
Scale	Designation		Doc-No	Doc-Type	Sheet 1 of 1			
NONE	SERVICE UNIT		001	DRW	Part-No			

DIN A2