

Pressure sensor SPAN

FESTO



Highly versatile!

Highlights

- Just 30 x 30 mm
- Electrical compatibility with all controllers
- Wide range of variants in pressure range up to 16 bar
- Test report available
- IO-Link®
- Tamper protection
- Attractive price, high performance

The attractively priced pressure sensor SPAN is amazingly flexible thanks to switchable electrical outputs and a very wide range of options for pressure measurement ranges and pneumatic connections. The compact design of just 30 x 30 mm, the range of variants and the user-friendly menu navigation make the sensor suitable for every kind of application.

Flexible and highly versatile

Thanks to the intuitive switching options for the electrical outputs:

- PNP/NPN
- Normally closed/normally open
- Current/voltage output

Incredibly easy to commission

The SPAN user-friendly menu navigation makes commissioning incredibly easy and quick. The copy function means that additional SPAN sensors are even easier to commission.

Very clear to read

The high-contrast white-on-blue display is easy to see:

- Two-line alphanumeric display
- Large-scale status feedback – the entire display turns red

More productive with optimum pressure measurement

SPAN measures the pressure of gaseous media. The following functions are available:

- System monitoring (pressure is available)
- Pressure monitoring at the pressure regulator (pressure in setpoint range)
- Vacuum (part picked up)
- Leak testing (pressure drop over time)
- Object sensing (backpressure present)

Pressure sensor SPAN

Technical data												
Pressure measurement ranges [bar]												
-1 ... 1	-1 ... 10	0 ... 0.25	0 ... 0.5	0 ... 1	0 ... 2	0 ... 6	0 ... 10	0 ... 12	0 ... 16	0 ... -0.25	0 ... -0.5	0 ... -1
Pneumatic connections												
G 1/8 male thread	G1/8 female thread	R 1/8 male thread	1/8 NPT male thread	M5 female thread	QS4 push-in connector 4 mm							
Electrical outputs												
Output 1: PNP/NPN/IO-Link® Output 2: PNP/NPN/0 ... 10 V/1 ... 5 V/4 ... 20 mA						Output 1/2: PNP/NPN switchable						
Electrical connection												
Plug L1 (M8 via electrical adapter)												
Accessories												
Wall mounting, mounting bracket, front panel installation kit, protective cover, connecting cable												

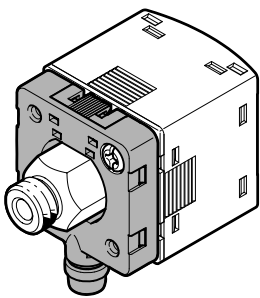
Benefits of the pressure sensor SPAN

Reliable and secure

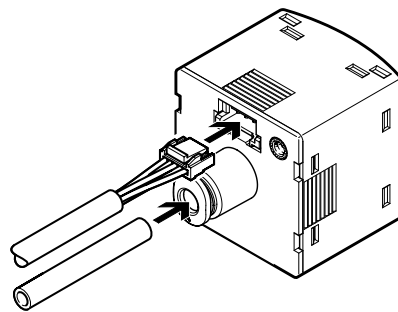
- Individual numerical code lock as tamper protection; device setting is also displayed without entering the code
- Remote maintenance and parameterisation via IO-Link®

Versatile and easy

- Quick and easy setting of the pressure switching point via teach-in
- Min/max value memory for monitoring compressed air
- Protection class IP40
- Switching between pressure units (bar, kPa, MPa, psi, mmHg, inchHg, inchH2O, kgf/cm²)
- Weight-reduced variant QS4 with integrated tubing connection



Electrical adapter L1 on M8 (example for downward outlet direction)



Connection in 2 steps:
insert L1 plug, insert tube