

Compressed air and filter regulator series MS2-LR/LFR

FESTO



Compact = close to the process!

Highlights

- Inexpensive
- The lightest on the market: from 28 g (LR) to max. 38 g (LFR)
- Compact: fitting space reduced by up to 40%
- Optimum control response
- High flow rate
- Sturdy thanks to high-quality polymer
- Condensate level always visible (LFR)
- Directly in the machine
- Ideal for end-of-arm applications

The compressed air and filter regulators MS2 are very compact and extremely light, yet have flow rates of up to 350 l/min and are very sturdy. They can be installed directly in the machine for use close to the process and for end-of-arm applications. These strong, cost-efficient and lightweight components are ideal for applications in small parts assembly and in the electronics industry.

Unrivalled

Advanced polymer materials make the compressed air and filter regulators MS2 up to 50% lighter than competitive products – but extremely sturdy at the same time. The optimised design ensures a very high flow rate performance of up to 350 l/min for the regulator LR and up to 310 l/min for the filter regulator LFR. The precisely adjustable pressure regulation and the stable control behaviour without vibration always ensure smooth processes.

Compact

Connecting plates or additional fittings are no longer needed with the variants which feature built-in push-in fittings QS6. This offers great cost benefits and space savings of up to 40%.

Reliable operation

Thanks to the completely transparent cover, the condensate level is always visible, while dirty filters can be quickly detected. Condensate draining and filter changes are quick to carry out. The cover is then easily locked back into place.

Compressed air and filter regulator series MS2-LR/LFR

Wide range of applications

The excellent characteristics of the regulators MS2 enable them to be used flexibly in a variety of tasks, either directly in the machine or in end-of-arm applications, e.g. to reduce the force in gripping applications or front-end applications in the electronics industry. The mounting brackets for installation in the application or retaining nuts for front panel mounting are included. In the variant with QS6 fittings, the tube with O.D. 6 mm is connected directly to the body of the regulator and there is no need for any additional push-in fittings, thus saving costs and fitting space.

Functions

The pressure regulation can be precisely adjusted. The regulators MS2 are available with or without a pressure gauge (MPa, bar/psi), and the rotary knob latches in to prevent it from

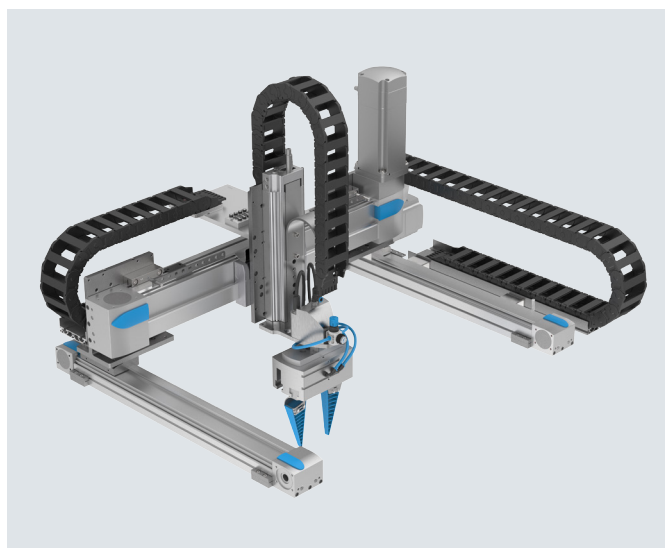
being turned unintentionally. The filter regulator filters dirt and oil particles up to a degree of 5 µm and removes condensate from the air flowing through.

Integrated Z flow rate

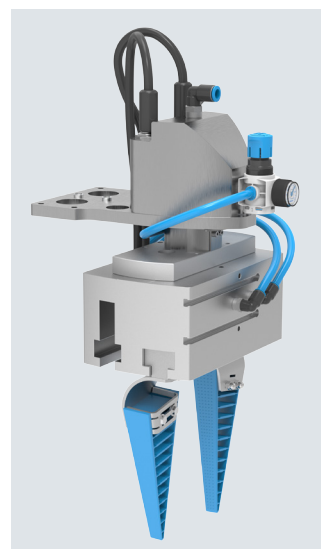
Need to change flow direction? Not a problem. The regulators MS2 can also be used as a Z variant as standard: simply install it vertically, turn it 180° and the air will flow from right to left.

Product Key for fast information

If required, e.g. for maintenance or repairs, the Product Key allows you speedy access to online information, including the operating instructions. To do this, simply scan the data matrix code on the product.



The compact, lightweight MS2 is best installed on the front unit or on end-of-arm solutions.



Technical data	
Pneumatic connection	M5 or QS6
Pressure gauge connection	G1/8
Pressure regulation range [bar]	0.5 ... 7
Max. operating pressure [bar]	10 (M5), 8 (QS6)
Pressure gauge variants	MPa, bar/psi
Standard nominal flow rate*	LR: M5: 170 l/min; QS6: 350 l/min LFR: M5: 140 l/min; QS6: 310 l/min
Weight [g]	LR: 28 – 31 LFR: 35 – 38
Temperature range [°C]	-5 ... +50
Grid dimension [mm]	25
Grade of filtration (LFR) [µm]	5