

Fork light sensors SOOF

FESTO



Ready to install!

Highlights

- Quick to install
- High repetition accuracy
- SOOF-M now with IO-Link
- SOOF-P with innovative status display (visible from all sides)

Fork light sensors are through-beam sensors. This principle guarantees optimal reliability and efficiency. Reliable detection is combined with minimum installation work included.

Fork light sensors by Festo...

... are part of a closely harmonised automation portfolio containing pneumatic and electrical components and ready to install systems – with our usual good price/performance ratio. Two robust housing versions made either of metal or reinforced polycarbonate are available for various tasks and environmental conditions.

Quick to install

Adjusted by potentiometer or teach-in. Dynamic teach-in makes setting the SOOF-P version simple. High resolution and repetition accuracy combined with low hysteresis guarantee optimal precision.

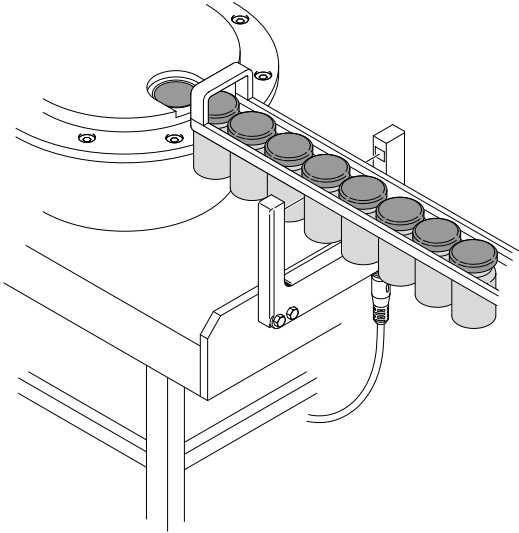
The advantages in detail

- IP67 for very good protection from environmental influences
- Output function switchable between N/O and N/C.
- Extremely high tolerance of ambient light and thus greater application reliability
- SOOF-P with especially innovative status display due to LEDs being visible from all sides
- In addition to the standard installation holes using assembly sleeves at the rear, swallowtail interfaces are available for SOOF-P gap sensors.

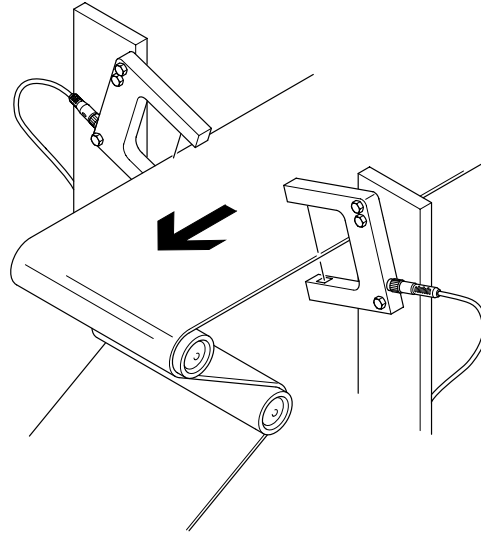
 IO-Link

Fork light sensors SOOF

Sample applications



Standstill monitoring in feeding units



Contour control using fork light sensors

Technical data

Setting options	Material info housing	Fork width	Min. object diameter	Max. switching frequency	Switching outputs	Part no.	Type
IO-Link Potentiometer	Die-cast zinc, coated	30	0.3 mm	5000 Hz	Push-pull, PNP, NPN	553553	SOOF-M-FL-SM-C30-P
		50	0.3 mm			553555	SOOF-M-FL-SM-C50-P
		80	0.3 mm			553557	SOOF-M-FL-SM-C80-P
		120	0.5 mm			553559	SOOF-M-FL-SM-C120-P
Teach-In	Polycarbonate	30	0.5 mm	2000 Hz	PNP	553561	SOOF-P-FL-ST-C30-P
			NPN		553562	SOOF-P-FL-ST-C30-N	
		50	0.3 mm		PNP	553563	SOOF-P-FL-ST-C50-P
					NPN	553564	SOOF-P-FL-ST-C50-N
		80	0.5 mm		PNP	553565	SOOF-P-FL-ST-C80-P
					NPN	553566	SOOF-P-FL-ST-C80-N
		120	0.4 mm		PNP	553567	SOOF-P-FL-ST-C120-P
					NPN	553568	SOOF-P-FL-ST-C120-N

Additional features

Electrical connection	Plug M8x1, 3-pin
Switching element function	switchable
Operating voltage range	10 ... 30 V DC
Ambient temperature	-25 ... 60 °C (SOOF-M)
	-10 ... 60 °C (SOOF-P)
Protection class	IP67
Light type	red



SOOF-P: Fastening by means of dovetail