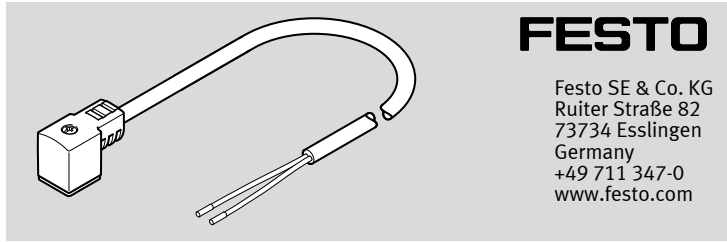


# Connecting line NEBV-C1SW2L-P-K-...-LE2-S9



Instructions Mounting - Connecting line

8081150  
2017-10  
[8081152]



Translation of the original instructions

## 1 Further applicable documents

All available documents for the product → [www.festo.com/pk](http://www.festo.com/pk).

## 2 Safety

### 2.1 Safety instructions

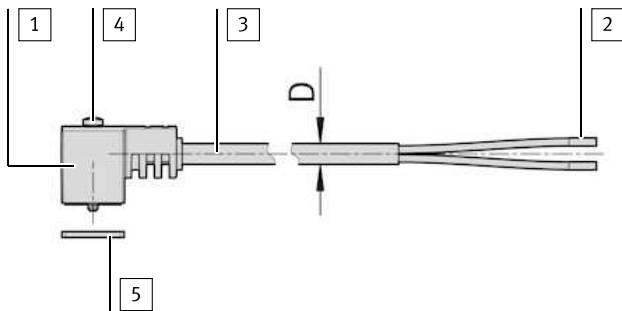
- Do not connect or disconnect plug connector when powered.
- Switch off power supply before starting the mounting work.
- Observe tightening torques.

### 2.2 Intended use

Connecting cable for valves

## 3 Configuration

### 3.1 Product design



- |                        |              |
|------------------------|--------------|
| 1 Socket (1x)          | 4 Screw (1x) |
| 2 Wire end sleeve (2x) | 5 Seal (1x)  |
| 3 Cable (1x)           |              |

Fig. 1

### 3.2 Pin allocation

Port 1	Pin	Colour code <sup>1)</sup>
	1	BK
	2	BK

1) Colour code in accordance with IEC 60757:1983-01

Tab. 1

## 4 Mounting

### 4.1 Mounting, field device side

1. Mount seal [5] positively locked to the socket [1].
2. Put socket [1] onto the plug that fits.
3. Tighten screw [4].

### 4.2 Mounting, controller side

- Connect the wires in accordance with the pin allocation.

### 4.3 Installation

- Install connecting cable statically or flexibly.

## 5 Technical data

### NEBV-C1SW2L-P-K-...-LE2-S9

Cable characteristic	Can be dynamically bent, but not for robots or energy chains.	
Cable composition	[mm <sup>2</sup> ]	2x0.75
Cable diameter	D [mm]	5.2
Current rating at 40 °C	[A]	6
Surge resistance	[kV]	2.4
Degree of protection	IP65, IP67	
Note on degree of protection	in mounted status	
Bending radius, flexible cable installation	R [mm]	≥ 52
Operating voltage ranges		
Operating voltage range AC	U <sub>B</sub> [V]	–
Operating voltage range DC	U <sub>B</sub> [V]	20.4 ... 26.4
Ambient temperature		
Fixed cable installation	[°C]	–20 ... +70
Flexible cable installation	[°C]	–5 ... +70
Material		
Cable sheath	PVC	
Insulating sheath	PVC	
Electrical connection 1		
Function	Field device side	
Connection type	Socket, narrow design	
Connection technology	Plug pattern, shape C (in accordance with EN 175301-803)	
Type of mounting	On solenoid valve with central screw ⌀ 2.5 (central combination cross slot)	
Tightening torque	[Nm]	0.5 ± 20 %
Electrical connection 2		
Function	Controller side	
Connection type	Cable	
Connection technology	Open end	
Wire ends	Wire end sleeve	

Tab. 2