


## Cover MS6/9-SV-C-MK/MH

# FESTO

Festo SE & Co. KG

Rüter Straße 82  
73734 Esslingen  
Germany  
+49 711 347-0  
www.festo.com

### 1. Further applicable documents

 All available documents for the product → [www.festo.com/pk](http://www.festo.com/pk)

### 2. Safety

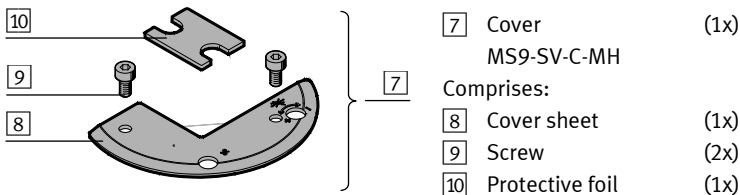
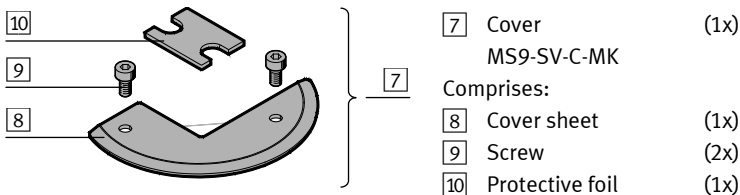
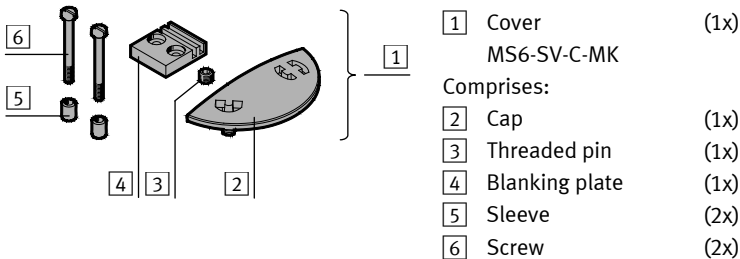
- Switch off compressed air before mounting work.
- Switch off power supply before starting the mounting work.

### 3. Intended use

Tamper protection on the soft-start/quick exhaust valve (→ Table).

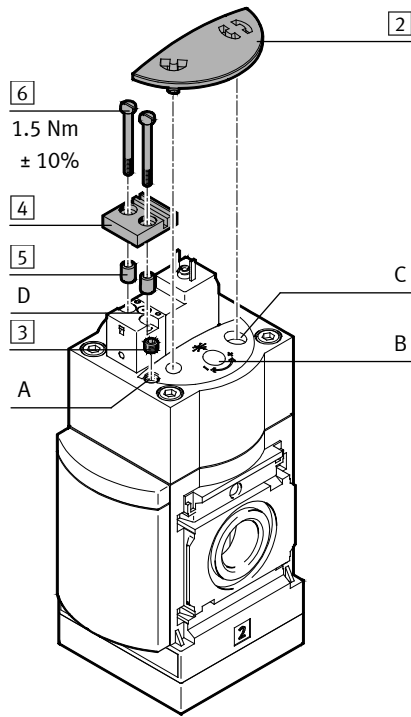
Tamper protection			
Valve	MS6-SV-C	MS9-SV-C	
Cover	MS6-SV-C-MK	MS9-SV-C-MK	MS9-SV-C-MH
Manual override (A) on the valve	✓	✓	✓
Flow control screw (B)	✓	✓	-
Adjusting screw (C) pressure switching point	✓	✓	-
Manual override (D) on the pilot valve	✓	✓	✓

### 4. Scope of delivery



## 5. Mounting

### 5a. Cover MS6-SV-C-MK **1**



If the threaded pin **3** is not mounted at the factory:

- Screw the threaded pin **3** into the hole of the manual override (A) tapping until flush. If you screw it in again, use the threads already present.

- Position cap **2** over the designated drill holes. Press the cap **2** until it engages in place.

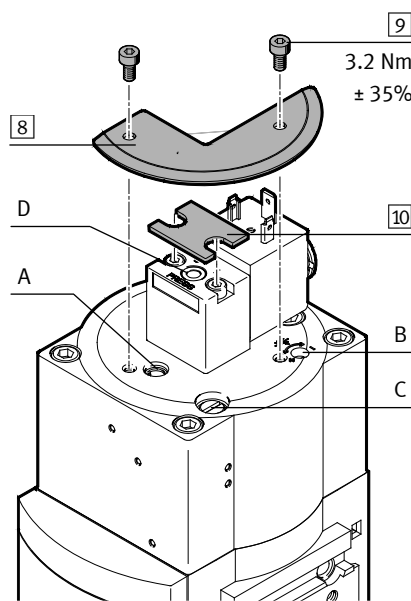
If the manual override (D) is present.

- Place sleeve **5** into the depressions of the pilot valve.
- Position the drill holes in the blanking plate **4** over the sleeves **5**.
- Tighten screws **6**.

#### → Note

Dismantling of the cap **2** is only possible by destroying the snap-in hooks.

### 5b. Cover MS9-SV-C-MK **7** and MS9-SV-C-MH **7**



- Place the cover sheet **8** onto the designated threads.
- Tighten screws **9**.
- Affix protective foil **10** (→ Chapter 6).

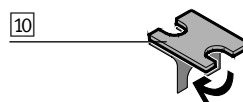
### 6. Mounting in the case of pilot control with manual override (D)

- Clean the corresponding surface on the manual override (D).

#### → Note

All non-abrasive cleaning agents are permissible, such as:

- Soap suds (max. +50 °C)
- Petroleum ether



- Remove adhesive film from the protective foil **10**.
- Affix the protective foil **10** onto the manual override (D) corresponding to the cut-outs.