



Festo SE & Co. KG

Postfach
 73726 Esslingen
 Germany
 +49 711 347-0
 www.festo.com

Terminal CPX CPX, CPX-M

1. Safety instructions and notes on mounting	1
2. Parts list	2
3. Intended use	2
4. Wall mounting	3
4a. Check positions of the mountings	3
4b. Assemble mountings.....	3
4c. Overview of the fastening points	4
5. H-rail mounting	5
5a. Mount H-rail	5
5b. Mount CPX-terminal to H-rail.....	5

1. Safety instructions and notes on mounting

Warning

Electric voltage.
 Injury (death) due to electric shock.

- Switch off power supply before assembly work.

Caution

Unexpected movement of components.
 Injury due to electric shock, impact, squeezing.

- Switch off compressed air before assembly work.

→ Note

Electrostatic charge.
 Damage to the internal electronics.

- Electrostatically discharge assembly personnel prior to assembly work.

→ Note

Malfunction due to incorrect earthing.

- Earth in accordance with regulations
 → CPX-system description: Potential equalisation.

→ Note

Malfunction and material damage due to incorrect assembly.

- Plan sufficient space:
 - permit heat dissipation through air circulation
 → CPX-system description.
 - permit access to the connections.

Requirements of the mounting surface:

- torsion-free operation of the product
- acceptance of the weight and other forces that occur.

- Observe assembly conditions (→ following tables).

Resistance to vibration/ resistance to shock	in accordance with EN 60068	Wall	H-rail
Vibration	Part 2-6	SL2 ¹⁾	SL1
Shock	Part 2-27	SL2	SL1
Continuous shock	Part 2-27	SL1	SL1

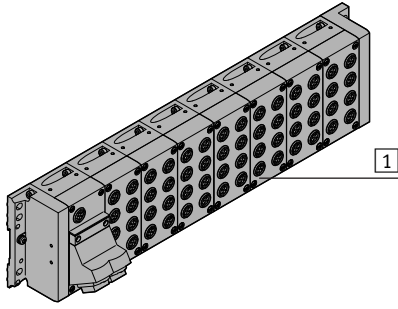
Vibration load					
Frequency range [Hz]		Acceleration [m/s ²]		Displacement [mm]	
SL1	SL2	SL1	SL2	SL1	SL2
2 ... 8	2 ... 8	–	–	±3.5	±7
8 ... 27	8 ... 27	10	10	–	–
27 ... 58	27 ... 60	–	–	±0.15	±0.7
58 ... 160	60 ... 160	20	50	–	–
160 ... 200	160 ... 200	10	10	–	–

Shock load					
Acceleration [m/s ²]		Duration [ms]		Shocks per direction	
SL1	SL2	SL1	SL2	SL1	SL2
±150	±300	11	11	5	5

Continuous shock load			
Acceleration [m/s ²]		Duration [ms]	
		Shocks per direction	
±150		6	
		1000	

¹⁾ SL1 = Severity level 1
 SL2 = Severity level 2

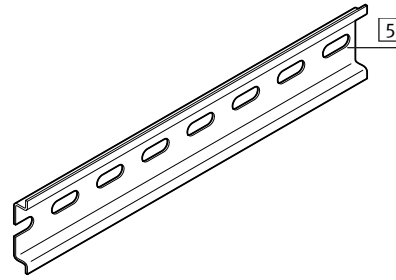
2. Parts list



1 Terminal CPX (1x)

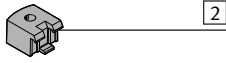
H-rail mounting

Not included in delivery:



5 H-rail (1x)
(EN 60715 - 35x7.5 or 35x15)

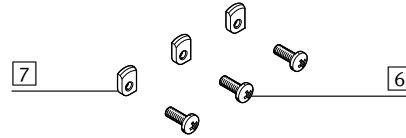
Wall mounting



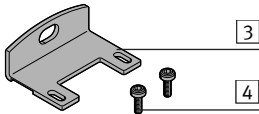
Attachment for CPX-modules (plastic):
2 Mounting CPX-BG-RW-...

Mounting

CPX-CPA-BG-NRH:



6 Screw (3x)
7 Clamping component (3x)



Mounting for CPX-modules (metal):
3 Mounting bracket CPX-M-BG-RW-...
4 Screw M3 (thread-cutting)

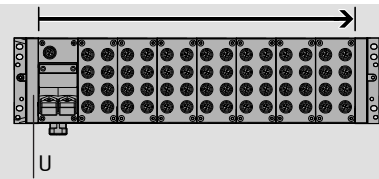
3. Intended use

Product	Usage
CPX-terminal 1	Control of electric actuators. Interrogation of the sensors.
Mounting 2/3	Additional wall mounting of the CPX-terminal 1 .

4. Wall mounting

4a. Check positions of the mountings

i Information



Counting direction of the modules:
– from end plate (U).

i Information

Mountings are pre-assembled, dependent on the configuration.

- Check positions of the pre-assembled mountings (→ tables) and correct, if required (→ section 4b).

Mounting **2** with CPX-modules (plastic)

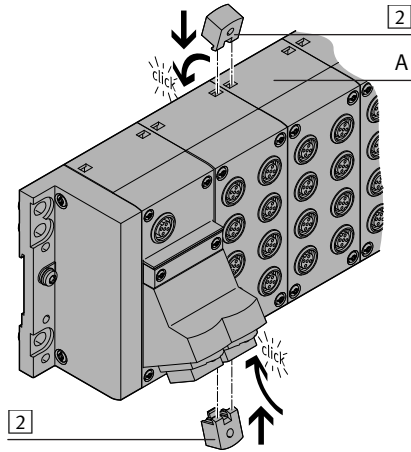
Number of modules	Mounting between the modules		
	2/3	5/6	8/9
1 ... 3	–		
4 ... 5	•		
6 ... 8	•	•	
9 ... 10	•	•	•

Mounting **3** for CPX-modules (metal)

Number of modules	Mounting to the modules				
	2	3	4	6	7
1 ... 3	–				
4	•				
5 ... 6		•			
7			•		
8		•		•	
9 ... 10		•			•

4b. Assemble mountings

Mounting **2** to CPX-modules (plastic)

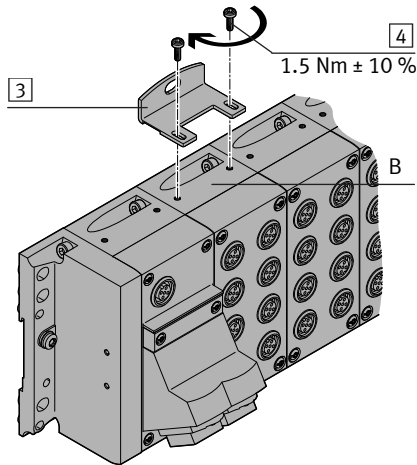


- Press mounting **2** inclined into the modules (A).
- Tilt mounting **2** until it catches.
- Assemble additional mounting **2** opposite.

Mounting **3** to CPX-modules (metal)

i Information

For CPX-modules (metal) without system supply, the mounting **3** can be assembled on both sides of the module.



- Place mounting **3** aligned on the module (B).
- Tighten screws **4**. If you screw it in again, use the threads already present. Observe tightening torque.

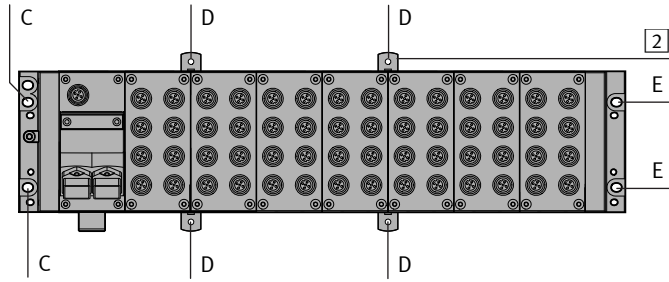
4c. Overview of the fastening points

→ **Note**

Material damage due to incorrect assembly.

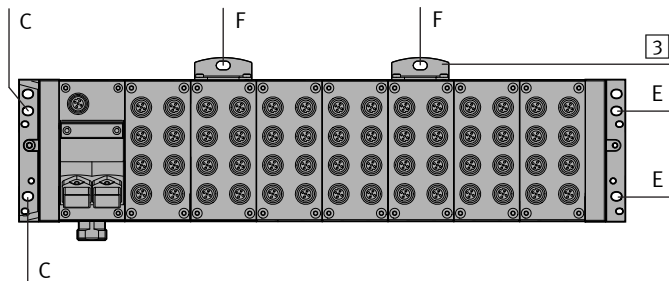
- Select screws suitable for the installation situation.

CPX-terminal (plastic)



Mounting point	Screw size	Number
(C)	M6	2x
(D)	M4	1x every 2
(E)	M6	2x

CPX-terminal (metal)



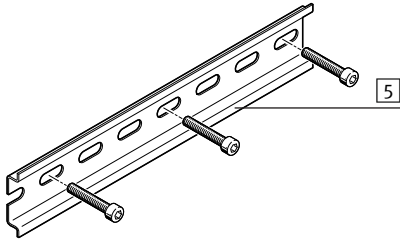
Mounting point	Screw size	Number
(C)	M6	2x
(F)	M6	1x every 3
(E)	M6	2x

5. H-rail mounting

i Information

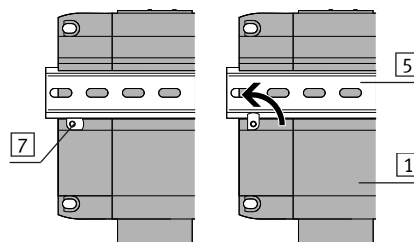
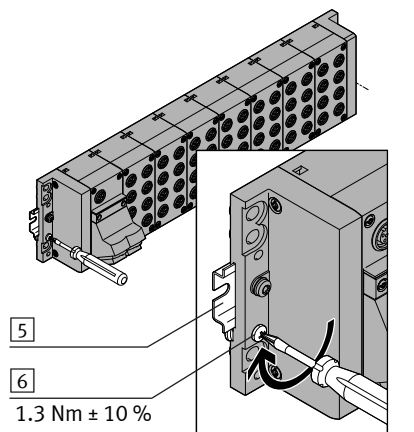
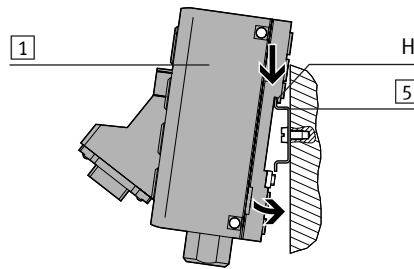
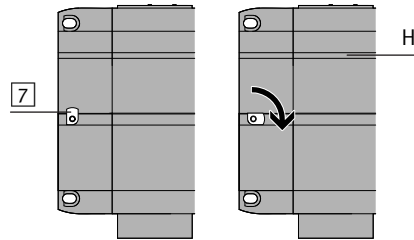
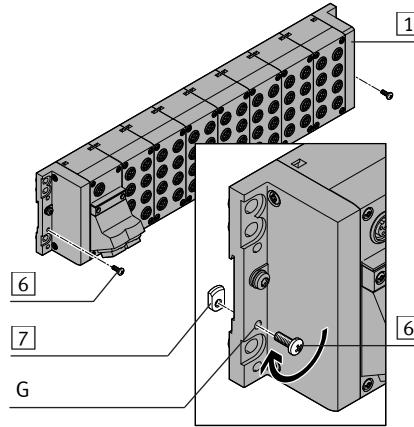
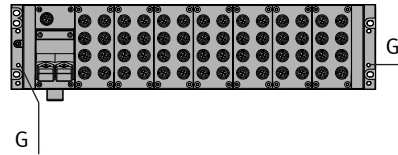
- A screw [6] and a clamping component [7] are left over.

5a. Mount H-rail



- Mount H-rail [5] horizontally.

5b. Mount CPX-terminal to H-rail



- Remove pre-assembled mountings [2]/[3].

On the reverse side of the modules:

- Place clamping components [7] at the mounting points (G).
- Fix clamping components [7] with screws [6].

- Align clamping components [7] parallel to the slot (H).

- Hang CPX-terminal [1] onto the H-rail [5] at the slot (H).
- Swivel CPX-terminal [1] onto the H-rail [5].

- Tighten screws [6]. Observe the tightening torque.

Tightening the screws [6] turns the clamping components [7] by 90°. CPX-terminal [1] is secured against tilting and slipping.