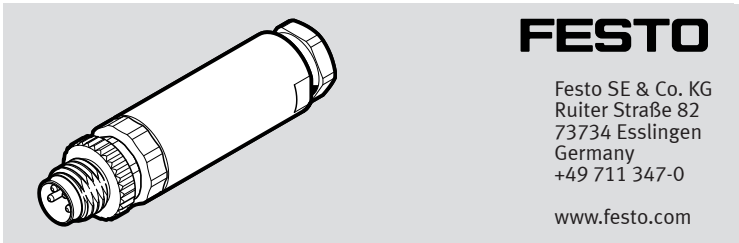


NECB-S-M8G...-C2

Plug



FESTO

Festo SE & Co. KG
Rüter Straße 82
73734 Esslingen
Germany
+49 711 347-0

www.festo.com

Assembly instructions

8168204
2023-10
[8168206]



8168204

Translation of the original instructions

© 2023 all rights reserved to Festo SE & Co. KG

1 Applicable Documents

All available documents for the product → www.festo.com/sp.

2 Safety

2.1 Safety instructions

– Before working on the product: Switch off the power supply, ensure that it is off and secure it against being switched on again.

2.2 Intended use

Easily fabricated plug connector for connecting automation devices in the industrial process measurement and process control fields. For example, the product connects sensors or actuators with controllers.

2.3 Training of qualified personnel

Work on the product may only be carried out by qualified personnel who can evaluate the work and detect dangers. The qualified personnel are trained in electrical engineering.

3 Additional information

– Contact the regional Festo contact if you have technical problems → www.festo.com.
– Accessories and spare parts → www.festo.com/catalogue.

4 Product overview

4.1 Scope of delivery

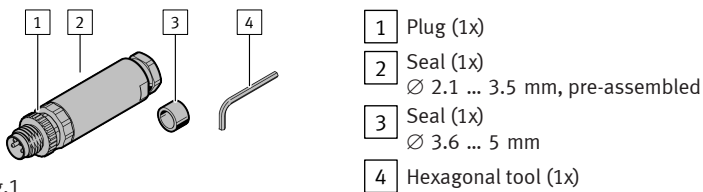


Fig.1

4.2 Contact assignment

NECB-S-M8G...-C2	3	4
Electrical connection 1 Controller side		

Tab. 1: Contact assignment

5 Assembly

5.1 Preparation

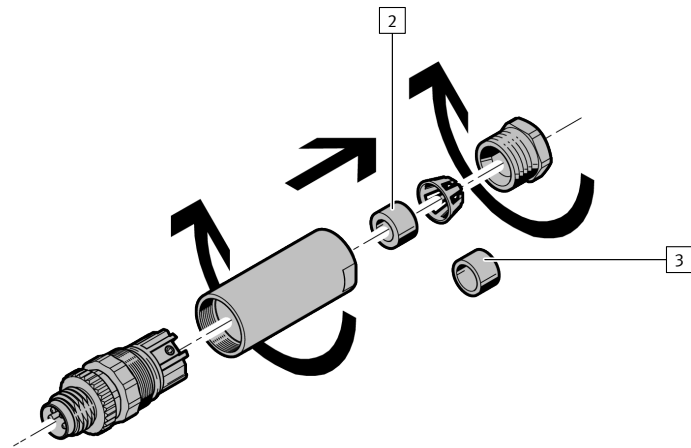


Fig.2

1. Disassemble the plug.
2. Select the seal to match the cable diameter.

Cable diameter	Seal
2.1 ... 3.5 mm	2, pre-assembled
3.6 ... 5.0 mm	3

5.2 Assembly on field device side

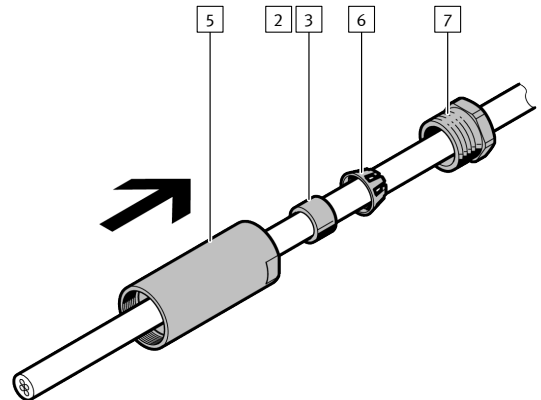


Fig.3

1. Push the pressure screw 7, the clamping cage 6, the seal 2/3 and the housing 5 onto the cable.
2. Strip the cable 12 mm.
3. Strip 4 mm of insulation from the cores. Use wire ferrules with stranded conductors.

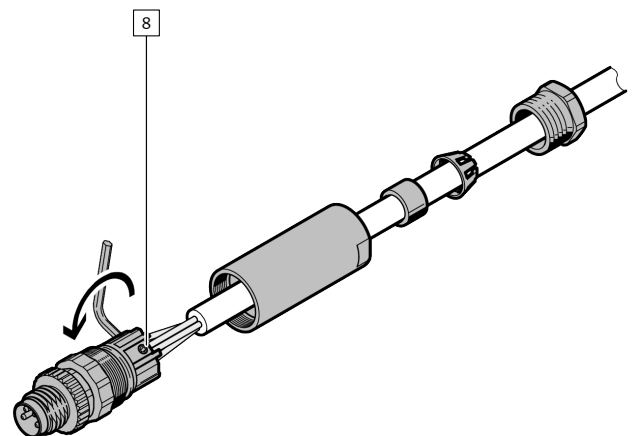


Fig.4

1. Insert the conductors into the screw terminals 8. The screw terminals 8 are labelled accordingly.
2. Tighten the screws of the screw terminals 8.
Tightening torque: 0.2 Nm ± 20%

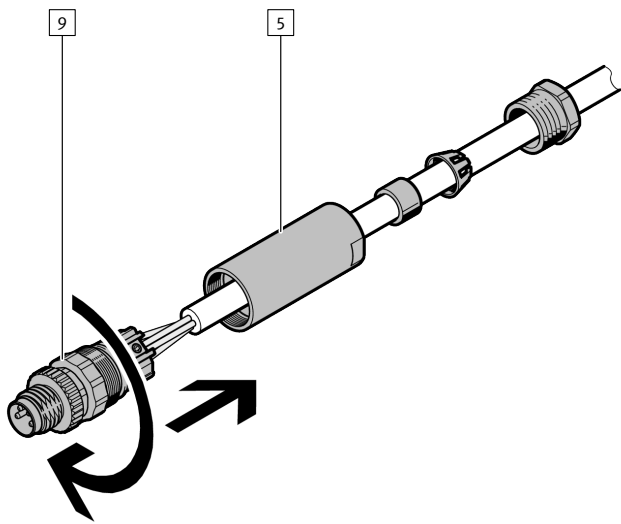


Fig. 5

- Screw the plug insert [9] into the housing [5].
Tightening torque: 0.35 Nm ± 20%

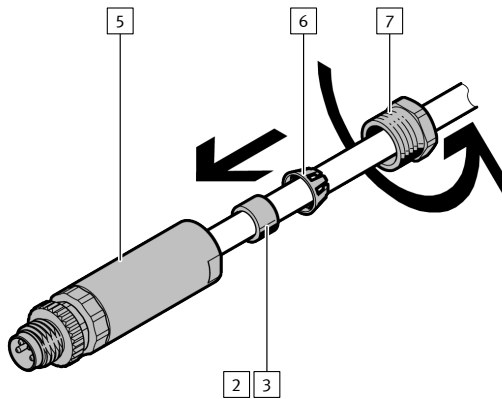


Fig. 6

1. Push the seal [2]/[3] and the clamping cage [6] into the housing [5].
2. Tighten the pressure screw [7].
Tightening torque: 0.5 Nm ± 10%

5.3 Assembly on controller side

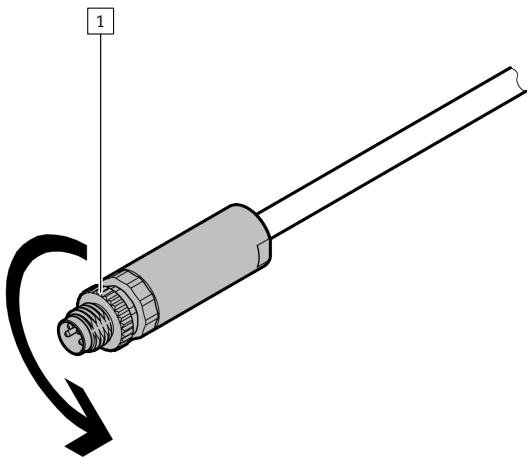


Fig. 7

- Connect the plug [1] to the controller.
Tightening torque: 0.3 Nm ± 25%

6 Technical data

NECB-S-M8G...-C2		3	4
Certificates, declaration of conformity		→ www.festo.com/sp	
Cable diameter	[mm]	2.1 ... 5.0	
Cable fitting		Pg7	
Operating voltage range DC	[V]	0 ... 60	
Operating voltage range AC	[V]	0 ... 48	
Current rating at 40 °C	[A]	4	
Surge resistance	[kV]	1.5	
Degree of protection In assembled state		IP65, IP67	
Pollution degree		3	
Ambient temperature	[°C]	-25 ... +90	
Electrical connection 1			
Function		Controller side	
Connection type		Plug connector	
Connection technology		M8x1 A-coded to EN 61076-2-104	
Number of pins/wires		3	4
Assigned pins/wires		3	4
Type of mounting		Screw-type lock with hexagon $\approx \varnothing 9$ and longitudinal knurl	
Electrical connection 2			
Function		Field device side	
Connection technology		Screw terminal	
Connection cross section	[mm ²]	0.14 ... 0.75	
Connection cross section with Wire end sleeve	[mm ²]	0.1	
Number of pins/wires		3	4
Assigned pins/wires		3	4

Tab. 2: Technical data