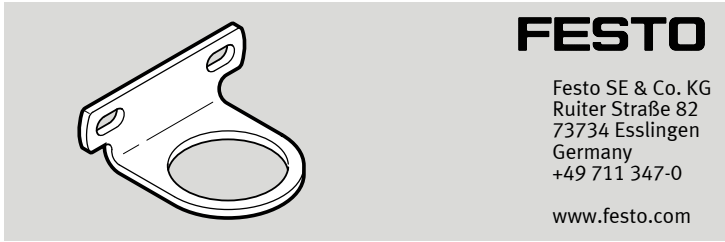


MS2-WR

Mounting bracket



Instructions | Assembly

8090007
2019-01
[8090009]



Translation of the original instructions

1 Applicable documents

All available documents for the product → www.festo.com/pk.

Document	Product	Contents
Instructions	Filter regulator MS2-LFR	Operating
Instructions	Pressure regulator MS2-LR	Operating

Tab. 1

2 Safety instructions

- Only assemble the product on components that are in a condition to be safely operated.

3 Product range overview

3.1 Scope of delivery

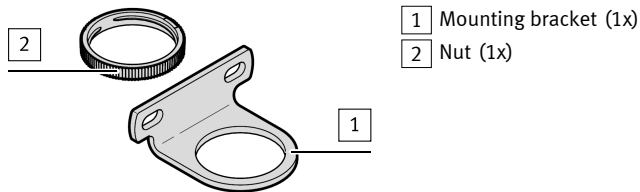


Fig. 1

3.2 Not in scope of delivery

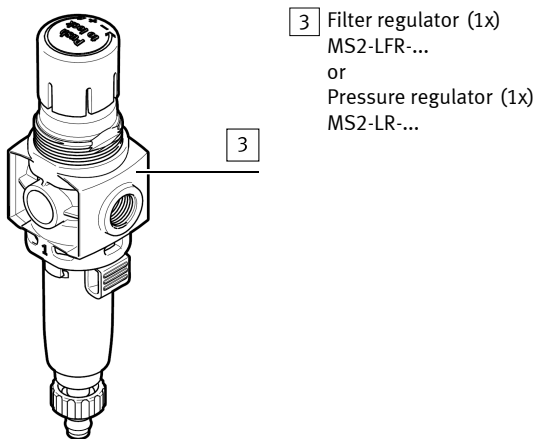


Fig. 2

4 Mounting

4.1 Assembly

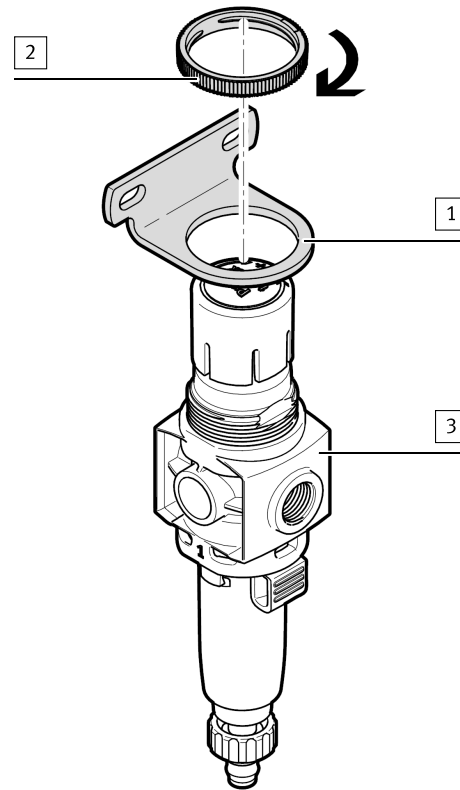


Fig. 3

1. Place the mounting bracket [1] on the valve [3].
2. Tighten [2] nut. Tightening torque: 0.6 Nm ± 20 %

4.2 Mounting

1. Place the valve [3] on a mounting surface with the mounting bracket [1].
2. Select screws suitable for the installation situation.
3. Tighten screws.