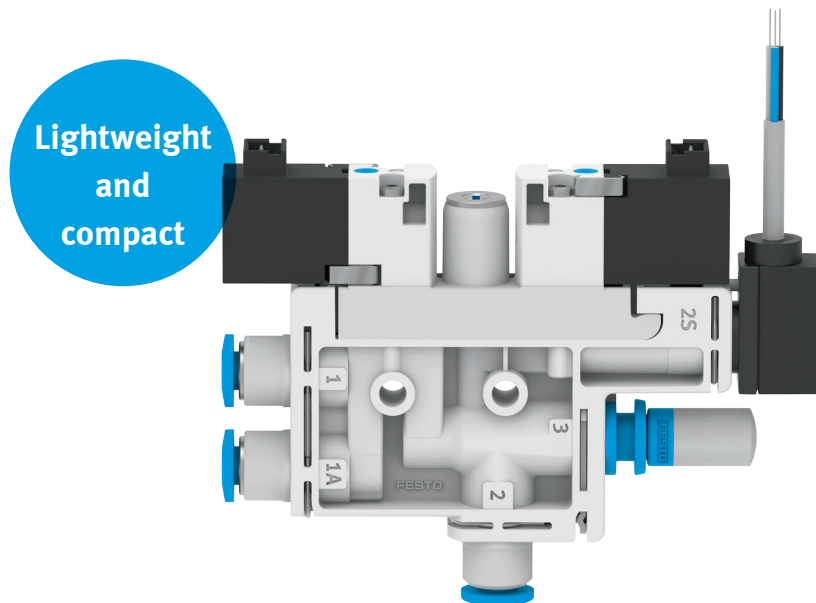


Vacuum generator OVEL

FESTO



Highly dynamic!

Highlights

- Low weight for high dynamic response
- All important functions are compactly integrated in one unit, for example:
 - Precisely adjustable ejector pulse thanks to separate compressed air supply
 - Choice of analogue or digital switching output
- Freely configurable thanks to a choice of different functions

The new vacuum generator is ideal for highly dynamic, decentralised handling applications. The weight-optimised and compact design make the OVEL the perfect solution for integration directly on the front unit. This reduces the evacuation time and increases the operating cycles.

Fast

Reducing the evacuation time in order to increase productivity is an important requirement, for example in light assembly in the electronics and other industries. By using the OVEL directly at the suction cup very high cycle times can be realised. The ejector pulse can also be regulated via a setting screw and detected by the vacuum sensor. This means that the workpieces can be set down more quickly.

Easy to maintain

The integrated filter and open silencer make the OVEL extremely easy to maintain. In addition, the open silencer combines low noise values with low maintenance requirements.

Easy to operate

IO-Link makes commissioning and parameterisation very easy, while the electrical connection technology also simplifies installation. And as all functions are integrated in one unit the assembly costs are kept extremely low.

Vacuum generator OVEL

Technical data

Functions	Values
Operating medium	Dry, filtered (40 µm), unlubricated compressed air
Operating pressure [bar]	2 ... 7
Ambient temperature [°C]	0 ... +50
Nominal width of Laval nozzle [mm]	0.45 / 0.7 / 0.95
Versions, 2 types	High vacuum High suction rate
Max. vacuum	90%
Operating voltage [V]	24 V DC
Normal position of the vacuum generator	Normally closed, with or without ejector pulse
Electrical connection	Connection pattern H, vertical plug
Vacuum sensor pressure range [bar]	-1 ... 1 -1 ... 0
Vacuum sensor	Without vacuum sensor 1 analogue switching output 1 ... 5 V 1 analogue switching output 0 ... 10 V* 1 switching output PNP, NPN or IO-Link with LCD indicator
Degree of protection	IP40

* Ideal in combination with the signal converter SCDN. Is also applicable for 1...5 V DC

