

# Flow Sensors SFAM-62/SFAM-90

FESTO



## Convenient!

**High flow rates, compact – and a quick starter. Unique: the early start point at 1%.** For maximum dynamic response. From 10 ... 1.000 l/min to 150 ... 15.000 l/min; great reserve capacity. The modular flow sensors SFAM-62 and SFAM-90 can be used as a stand-alone device or in a perfect combination with service units from the MS series.

### Safe and convenient

SFAM supplies absolute flow-rate data with threshold values - always precise, thanks to its extremely wide measuring range. The blue display with its very high contrast allows convenient adjustment of the switching point.

### Adjustable

PNP or NPN? SFAM offers both: Simply make your own selection after installation. This reduces the need for stocks of components, cuts costs and means fewer decisions up front. Also selectable: The standards DIN 1343, ISO 2533 and ISO 6358.

The advantage for you: No need to carry out conversions of flow rates.

### Right or left?

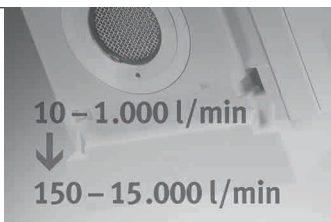
This unidirectional flow sensor offers a choice of flow direction - left to right or right to left.

### Flexible installation

The SFAM has a compact design and takes up little space.

### Easy to combine

With MS6/MS9 service units: Innovative V-jaw clamp system means less installation work.



Wide measuring range



Compact



Systematically safer

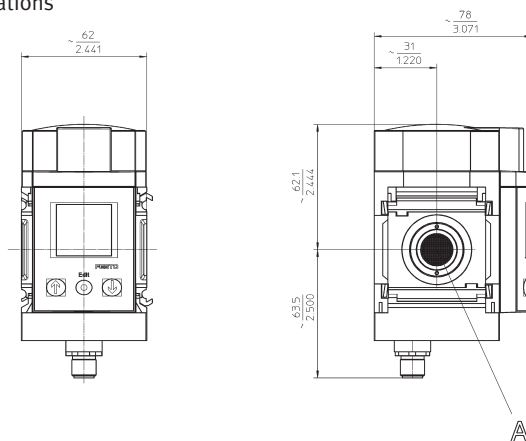
315.1. PSI →

Product Short Information

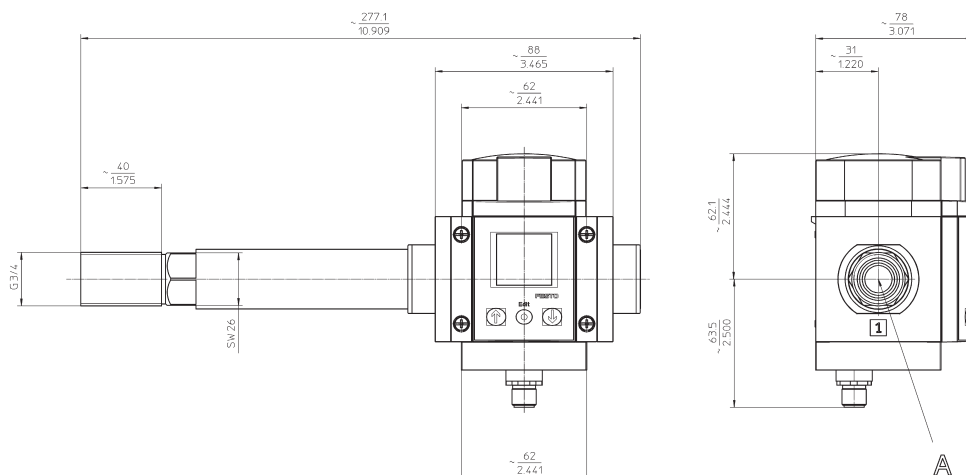
# Flow Sensors SFAM-62/SFAM-90

Dimensions using the example of the SFAM-62. SFAM-90 see [www.festo.com/catalogue](http://www.festo.com/catalogue)

For manifold assembly in service unit combinations



For individual mounting



## Technical data

Type	SFAM-62
Sensor principle	Thermal principle of anemometry (heat-loss process)
Installation position	Horizontal $\pm 5^\circ$
Operating medium	Filtered compressed air (40 $\mu\text{m}$ ), no aggressive gases
Electrical connection	M12 plug connector
Measuring range	SFAM-62: Choice of 10 ... 1.000; 30 ... 3.000; 50 ... 5.000 l/min SFAM-90: Choice of 50 ... 5.000; 100 ... 10.000; 150 ... 15.000 l/min
Switching output	2 x PNP or 2 x NPN selectable
Analogue output	0 ... 10 V, 4 ... 20 mA selectable
Accuracy	$\pm(3\% \text{ o.m.v.} + 0.3\% \text{ FS})$
Reproducibility	0.8 % o.m.v.
Operating voltage range	15 ... 30 V
Operating temperature range	0 ... 50 °C
Degree of protection	IP65
Type of display	Inverted LCD with 4 1/2-character 7-segment display
Approval certificates	UL/CSA, C-Tick, Atex II 3GD
Standard conditions	DIN 1343, ISO 2533, ISO 6358 selectable

## Features

- Unidirectional flow sensor with display: flow from left or right, selectable
- Stand-alone variant with wall bracket and inlet zone
- Without inlet section: block-mountable with MS6/MS9 service units

## Festo AG & Co. KG

Ruiter Strasse 82  
73734 Esslingen  
[www.festo.com](http://www.festo.com)  
Tel. +49 711 347-0  
Fax +49 711 347-2144  
[service\\_international@festo.com](mailto:service_international@festo.com)