

Flow Sensors SFAM-62/SFAM-90

FESTO



Convenient!

High flow rates, compact – and a quick starter. Unique: the early start point at 1%. For maximum dynamic response. From 10 ... 1.000 l/min to 150 ... 15.000 l/min; great reserve capacity. The modular flow sensors SFAM-62 and SFAM-90 can be used as a stand-alone device or in a perfect combination with service units from the MS series.

Safe and convenient

SFAM supplies absolute flow-rate data with threshold values - always precise, thanks to its extremely wide measuring range. The blue display with its very high contrast allows convenient adjustment of the switching point.

Adjustable

PNP or NPN? SFAM offers both: Simply make your own selection after installation. This reduces the need for stocks of components, cuts costs and means fewer decisions up front. Also selectable: The standards DIN 1343, ISO 2533 and ISO 6358.

The advantage for you: No need to carry out conversions of flow rates.

Right or left?

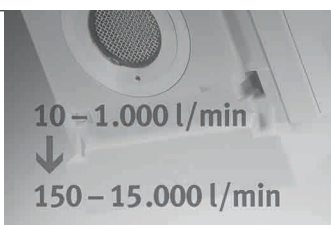
This unidirectional flow sensor offers a choice of flow direction - left to right or right to left.

Flexible installation

The SFAM has a compact design and takes up little space.

Easy to combine

With MS6/MS9 service units: Innovative V-jaw clamp system means less installation work.



Wide measuring range



Compact



Systematically safer

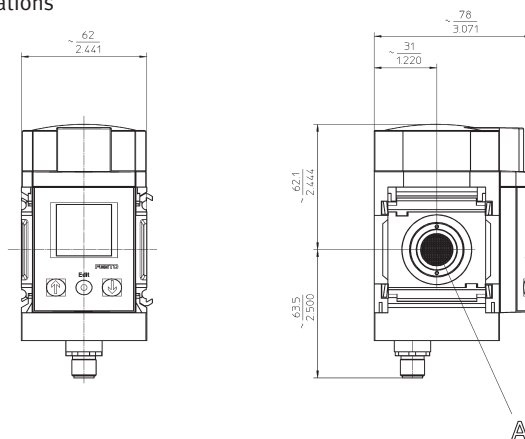
315.1. PSI →

Product Short Information

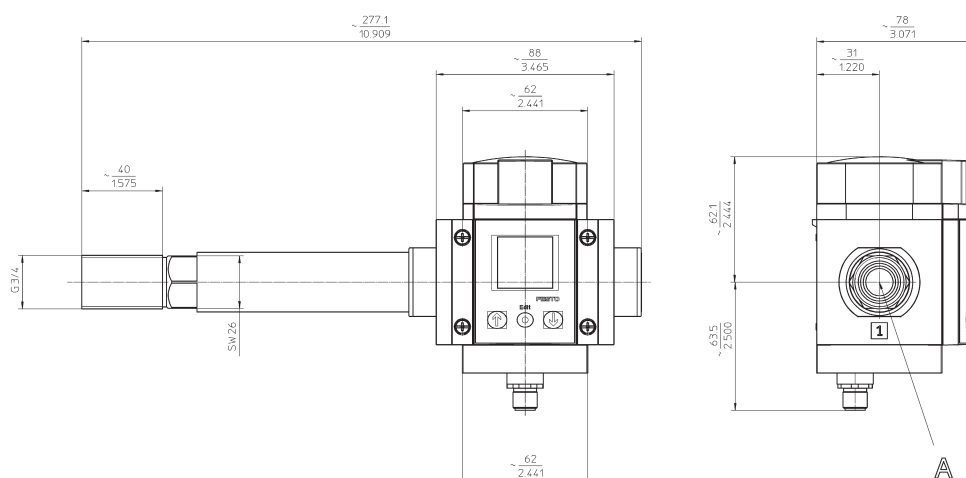
Flow Sensors SFAM-62/SFAM-90

Dimensions using the example of the SFAM-62. SFAM-90 see www.festo.com/catalogue

For manifold assembly in service unit combinations



For individual mounting



Features

- Unidirectional flow sensor with display: flow from left or right, selectable
- Stand-alone variant with wall bracket and inlet zone
- Without inlet section: block-mountable with MS6/MS9 service units

Technical data

Type	SFAM-62
Sensor principle	Thermal principle of anemometry (heat-loss process)
Installation position	Horizontal $\pm 5^\circ$
Operating medium	Filtered compressed air (40 μm), no aggressive gases
Electrical connection	M12 plug connector
Measuring range	SFAM-62: Choice of 10 ... 1.000; 30 ... 3.000; 50 ... 5.000 l/min SFAM-90: Choice of 50 ... 5.000; 100 ... 10.000; 150 ... 15.000 l/min
Switching output	2 x PNP or 2 x NPN selectable
Analogue output	0 ... 10 V, 4 ... 20 mA selectable
Accuracy	$\pm(3\% \text{ o.m.v.} + 0.3\% \text{ FS})$
Reproducibility	0.8 % o.m.v.
Operating voltage range	15 ... 30 V
Operating temperature range	0 ... 50 °C
Degree of protection	IP65
Type of display	Inverted LCD with 4 1/2-character 7-segment display
Approval certificates	UL/CSA, C-Tick, Atex II 3GD
Standard conditions	DIN 1343, ISO 2533, ISO 6358 selectable

Festo AG & Co. KG

Ruiter Strasse 82
73734 Esslingen
www.festo.com
Tel. +49 711 347-0
Fax +49 711 347-2144
service_international@festo.com