

Pressure sensor and pressure transmitter SPAU

FESTO



Maximum flexibility!

Highlights

- Connection concept with unique flexibility
- IO-Link 1.1
- Quick and easy mounting and commissioning
- Visual pressure status indicator. Blue: pressure OK, red: pressure not OK

The sensor SPAU for pressure measurement, pressure monitoring and pressure sensing keeps pressure levels permanently under control, ensuring more productivity and process reliability. As well as quicker system commissioning.

Intelligent pressure measurement

The SPAU is an intelligent pressure sensor with a freely programmable threshold value or window comparator. It has a wide range of functions for non-corrosive gases comprising:

- Network monitoring
- Regulator monitoring
- Vacuum monitoring
- Leak tests
- Object detection

Remote maintenance and parameterisation as well as simple sensor change are also possible via IO-Link.

Unique flexibility

The unique flexibility of the pressure adapter guarantees quick and easy mounting in all installation scenarios. For example, the pressure outlet

direction can be freely selected via a modular system at the back and at the bottom and the plug outlet direction M8/M12 can be selected at the top, bottom and at the back. Furthermore, the switchable PNP/NPN current and voltage outputs make it possible to adapt to all control systems.

Easy operation

Thanks to a large, easy-to-read, blue/red LCD display, it is immediately apparent whether the pressure is OK.

Clear 3-key menu navigation: quick to start up and easy to teach via pressure switch point setting.

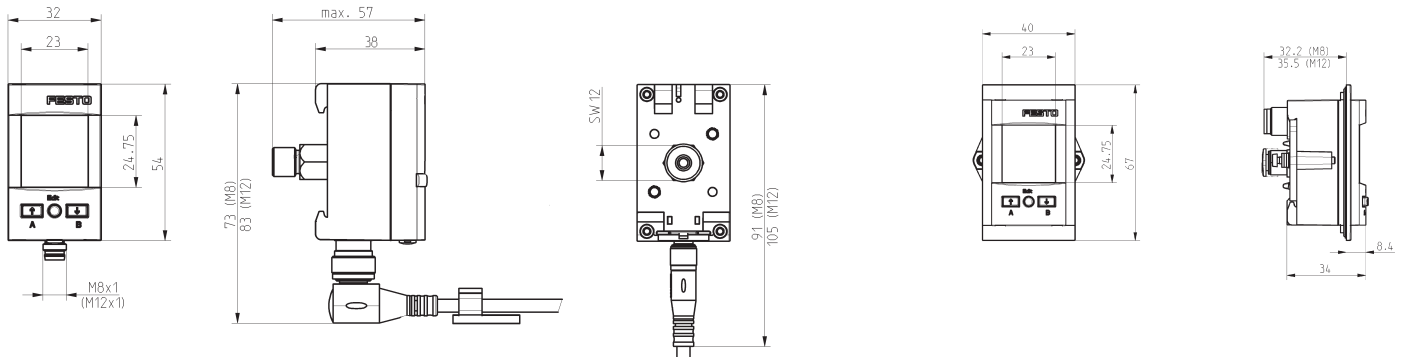
Sturdy design

The IP65 design enables it to be used in harsh environments.

 IO-Link

Pressure sensor and pressure transmitter SPAU

Dimensions

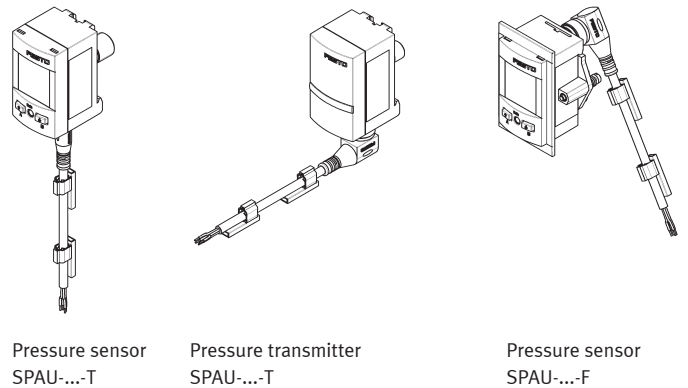


SPAU-...-T

SPAU-...-F

General technical data	
Method of measurement	Piezoresistive pressure sensor
Installation position	Any
Media compatibility	Compressed air to ISO 8573-1:2010 [7:4:4] Inert gases Lubricated operation possible
Accuracy of switching output	± 2% FS
Repetition accuracy	± 0.3% FS
Rated operating current	Max. 150 mA
Nominal temperature range	0 ... 50 °C
Operating voltage range	DC 15 ... 30 V
Idle current	Typically 35 mA
Display type	Without LCD (transmitter) Illuminating LCD, multi-colour (display)

Connection options



Pressure sensor
SPAU-...-T

Pressure transmitter
SPAU-...-T

Pressure sensor
SPAU-...-F

Overview of features and variants

Pressure measuring ranges

- 0 ... -1 bar
- -1 ... 1 bar
- 0 ... -0.5 bar
- 0 ... -0.25 bar
- 0 ... 0.25 bar
- 0 ... 0.5 bar
- 0 ... 1 bar
- 0 ... 2 bar
- 0 ... 6 bar
- 0 ... 10 bar
- -1 ... 10 bar
- 0 ... 12 bar
- 0 ... 16 bar

Pneumatic ports

- G 1/8
- R 1/8
- 1/8 NPT
- R 1/4
- M5
- M7
- Push-in connector 4 mm
- Push-in connector 6 mm
- Push-in connector 5/32"

Electrical outputs

- Output 1: PNP / NPN (switchable) or IO-Link
- Output 2: PNP / NPN / 0 ... 10 V / 1 ... 5 V / 4 ... 20 mA (switchable)

Electrical connections

- M8 plug
- M12 plug

Connecting cable (accessories)

- Straight socket 2.5 m
- Angled socket 2.5 m
- Straight socket 5 m
- Angled socket 5 m