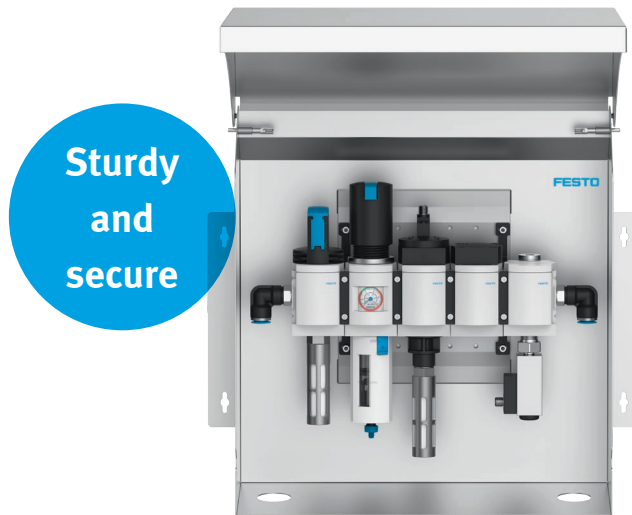


Protection Box for Air Preparation

FESTO



Simply protected!

Highlights

- Secure protection against external influences
- Longer service unit life
- Easy to assemble and use
- Optimal price/performance ratio

The conditions in many manufacturing areas, such as the splash zone in food production plants, place a lot of stress on service unit components. Cleaning agents and water jets attack the surfaces, screws and pressure gauges. With this stainless steel protection box, Festo offers a simple and low-cost solution to securely protect the compressed air preparation components.

Optimal protection

Uncovered service unit components often risk getting dirty or being damaged mechanically. The sturdy protection box prevents damage caused by external impacts or other influences in production.

Cleaning? Not a problem!

The protection box is made of stainless steel. It can withstand cleaning agents and protects the service unit components from direct splash water. The sloping roof supports efficient cleaning, since water simply runs off. The protection box does not offer ingress protection.

Simple, low-cost standard solution

Unlike common control cabinet constructions, the protection box has no complicated sealing and closing mechanisms. The costs are also kept low by using standardised combinations of service unit components.

Quick accessibility

The components can be quickly accessed by simply lifting the cover. Two locking pins securely hold the cover. The cover is also very easy to remove completely without the need for tools, facilitating maintenance.

Protection Box for Air Preparation

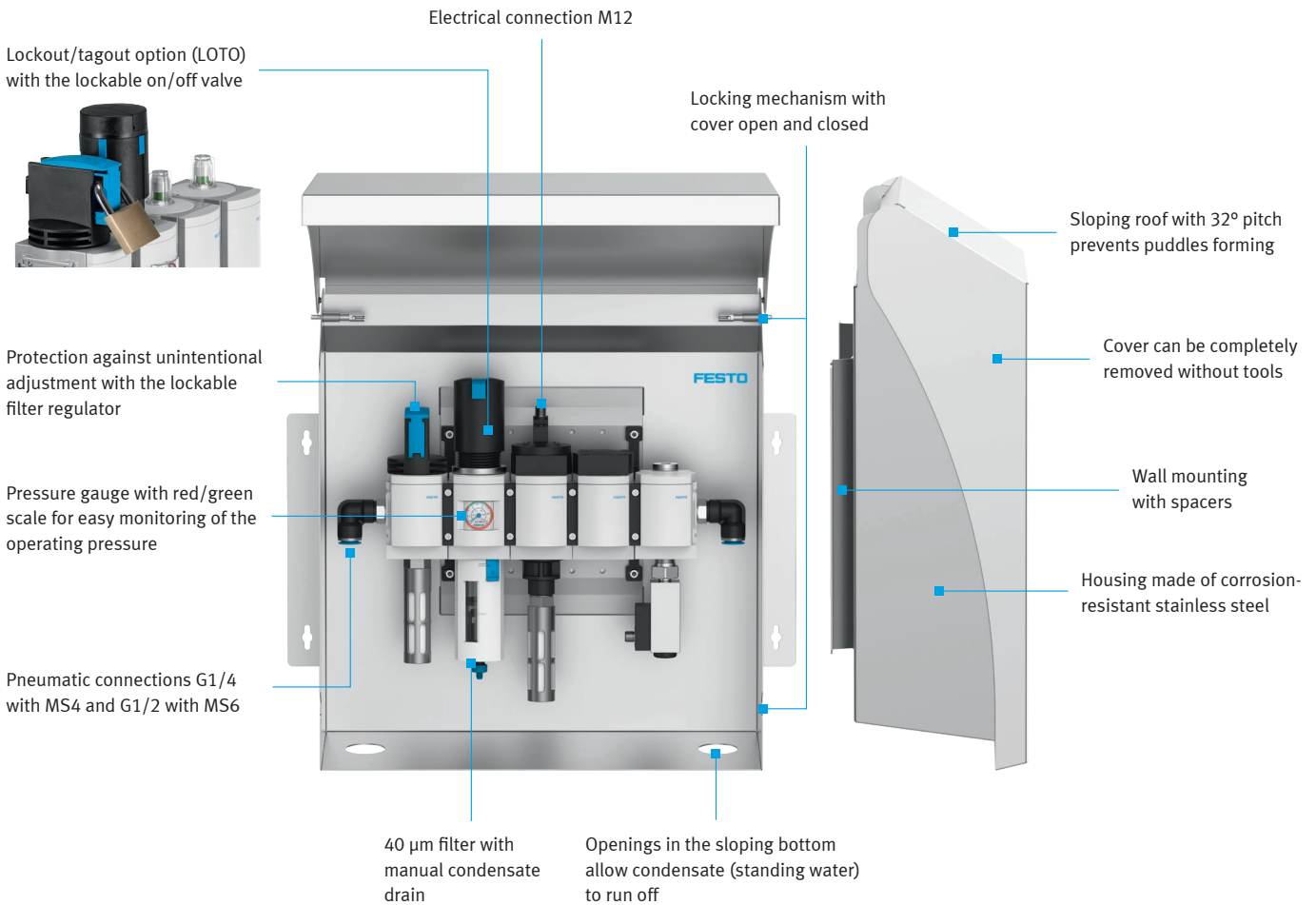
Pre-configured combinations of service unit components

A standard configuration of MS series service unit components is integrated in the protection box. This covers the most important basic functions for compressed air preparation.

The service unit combination comes in the sizes MS4 and MS6 and consists of the following components:

- Manual on/off valve EM1
- Filter regulator LFR
- Branching module FRM
- Electric on/off valve EE
- Soft-start valve DL

The simple connection system means the individual modules can be quickly replaced, without needing to disassemble the entire combination.



Technical data

	Protection box with service unit MS4	Protection box with service unit MS6
Part number	8089600	4901962
Dimensions with cover closed incl. mounting (W x H x D) [mm]	360 x 372 x 122 (height with cover open: 418)	520 x 509 x 176 (height with cover open: 596)