

# Mini slide DGST

FESTO



## Motion from a single piece

### Highlights

- Compact and highly precise
- Powerful
- Space-saving design thanks to mirror-imaged version
- Optionally available with reduced copper, zinc and nickel content for use in battery production

**Strong, precise and compact.** The powerful twin-piston version of the mini slide DGST impresses with its precise and powerful recirculating ball bearing guide. However, what really makes it stand out is the combination of slide and yoke into a single part. The result: the greatest possible precision in the application.

### A genuine space-saving miracle!

The cushioning components integrated in the installation space and the extremely short length make the DGST the most compact slide drive on the market. The DGST thus saves space in every customer application. The mirror-imaged version with compressed air ports and sensor slots on the opposite side saves space and can also be used when parts of the machine cover the air port. The reduced use of materials and the lower weight render DGST sustainable when it comes to production.

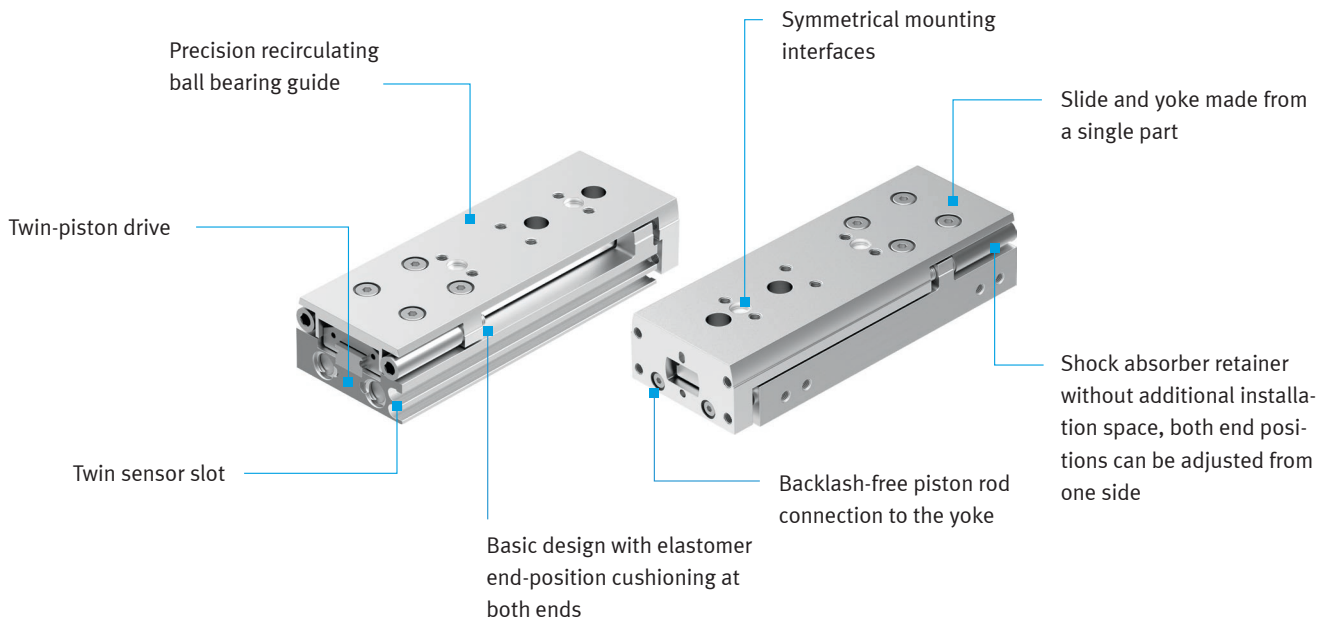
### Highly precise

The slide and the yoke in the DGST are made as a single part. This ensures the best possible degree of precision and conformity between the interfaces of the slide and yoke. In addition, the load capacity and sturdiness are increased, in particular that of the yoke interface.

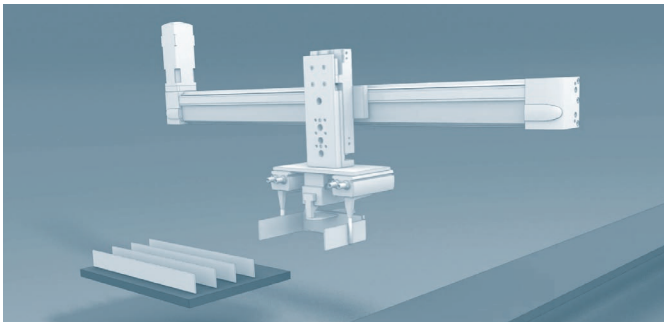
### Cushioning: the choice is yours

Together with the use of position transmitters, the large range of cushioning options also opens up numerous applications. Or you save costs and operate the DGST without additional cushioning.

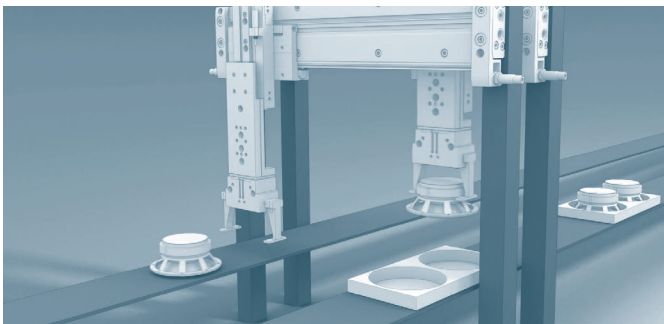
# Mini slide DGST



## Areas of application of DGST



Absorption of large lateral forces during linear movements



Press-fitting/clamping, pick & place

## Technical data

Size	06	08	10	12	16	20	25
Strokes	10	10	10	10	10	10	10
	20	20	20	20	20	20	20
	30	30	30	30	30	30	30
	40	40	40	40	40	40	40
	50	50	50	50	50	50	50
		80	80	80	80	80	80
			100	100	100	100	100
					125	125	125
					150	150	150
						200	200
End-position adjustment	Reduce at least to the next smaller standard stroke						
Cushioning variants	<ul style="list-style-type: none"> <li>Basic variant (E1), integrated elastic cushioning without stroke adjustment</li> <li>Elastic cushioning (P), elastic polymer cushioning components with stroke adjustment</li> <li>Shock absorbers (Y12), hydraulic shock absorbers with stroke adjustment (as of a stroke of 30 mm)</li> <li>Elastic cushioning (E) with stroke adjustment, also as short version</li> <li>Elastic cushioning (P1) with stroke adjustment and metal end position</li> </ul>						
Supply port	On the side; with optional connection set at the rear						
Material information	F1A variant: Metals with copper, zinc or nickel as main constituent are excluded from use. Exceptions are nickel in steel, chemically nickel-plated surfaces, printed circuit boards, cables, electrical plug connectors and coils.						

★ **Festo core product range**  
Solves the majority  
of your automation tasks

Quickest delivery, worldwide – wherever, whenever.  
Expected high Festo quality  
Easy and fast to select  
Best value

[www.festo.com](http://www.festo.com)