

ZDL Drip Leg

ZDL-75, ZDL-150



FESTO

Engineered Drip Leg

Highlights

- Up to 16 times more efficient than traditional drip leg configurations
- Extends the service life of downstream filters
- Maintenance free
- Output connection can be via threaded port or connect directly to Festo MS12 and MS9 products (MS6 with adapter)
- Space saving design
- Off the shelf solution

Intro

The ZDL Drip Leg utilizes an internal down tube which provides maximum efficiency of the "settling effect" which reduces the exposure of moisture and large particulates to the downstream air filtration products. The ZDL Drip Leg is also very aesthetically appealing with a low profile design that can be connected seamlessly to Festo MS6, MS9 and MS12 air preparation products.

Typical Applications

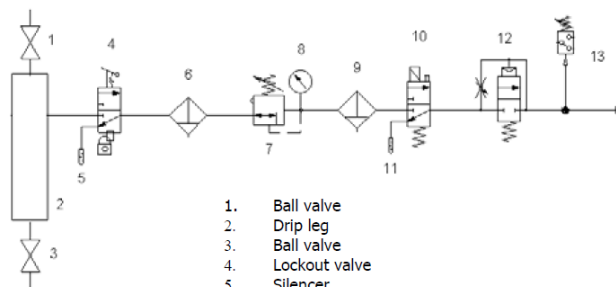
Primary connection from overhead compressed air supply to the first air filtration products.

Benefits

Separates large contaminants and reduces compressed air moisture which increases efficiency, and longevity of the downstream pneumatic products.



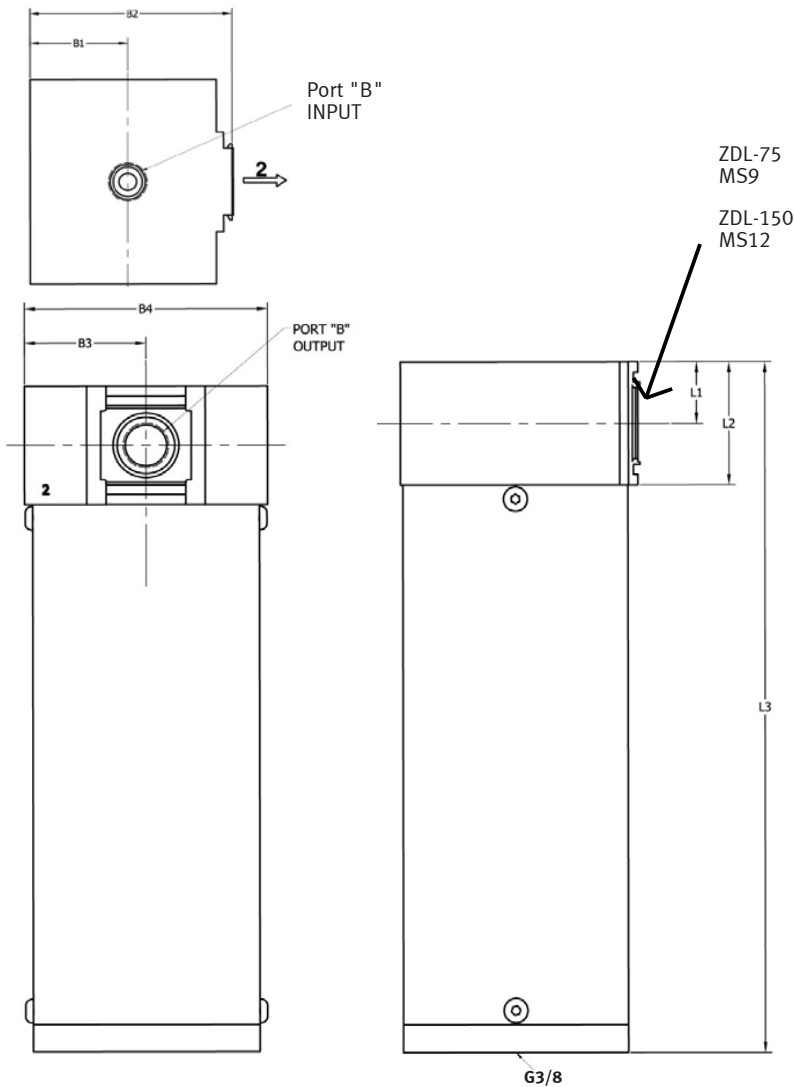
Typical Air Prep Circuit



1. Ball valve
2. Drip leg
3. Ball valve
4. Lockout valve
5. Silencer
6. 40 micron filter
7. Regulator
8. Pressure gauge
9. 5 micron filter
10. On-off solenoid actuated valve
11. Silencer
12. Soft start valve
13. Pressure switch

ZDL Drip Leg

Festo Part Number	Type Code	Port "B" Thread	MS Series Direct Connection	Adapter to MS6	Adapter to MS9	Adapter to MS12
13116062	ZDL-75-G-3/8-MS9	G3/8	MS9	MS6-9-AMV	-	MS9-12-ARMV
13116064	ZDL-75-G-1/2-MS9	G1/2	MS9	MS6-9-AMV	-	MS9-12-ARMV
13116065	ZDL-75-G-3/4-MS9	G3/4	MS9	MS6-9-AMV	-	MS9-12-ARMV
13116066	ZDL-75-G-1-MS9	G1	MS9	MS6-9-AMV	-	MS9-12-ARMV
13116067	ZDL-150-G-1-MS12	G1	MS12	-	MS9-12-ARMV	-
13116069	ZDL-150-G-1-1/2-MS12	G1-1/2	MS12	-	MS9-12-ARMV	-
13116080	ZDL-150-G-2-MS12	G2	MS12	-	MS9-12-ARMV	-
13116371	ZDL-75-N-3/8-MS9	NPT3/8	MS9	MS6-9-AMV	-	MS9-12-ARMV
13116374	ZDL-75-N-1/2-MS9	NPT1/2	MS9	MS6-9-AMV	-	MS9-12-ARMV
13116375	ZDL-75-N-3/4-MS9	NPT3/4	MS9	MS6-9-AMV	-	MS9-12-ARMV
13116377	ZDL-75-N-1-MS9	NPT1	MS9	MS6-9-AMV	-	MS9-12-ARMV
13116378	ZDL-150-N-1-MS12	NPT1	MS12	-	MS9-12-ARMV	-
13116380	ZDL-150-N-1-1/2-MS12	NPT1-1/2	MS12	-	MS9-12-ARMV	-
13116382	ZDL-150-N-2-MS12	NPT2	MS12	-	MS9-12-ARMV	-



	B1	B2	B3	B4	L1	L2	L3
ZDL - 75	46.50 mm	100.00 mm	50.00 mm	100.00 mm	44.00 mm	88.00 mm	490.00 mm
ZDL - 150	84.50 mm	174.00 mm	88.50 mm	177.00 mm	44.00 mm	88.00 mm	494.00 mm

Patent pending ZAYTRAN Automation - Elyria, OH

Festo Inc

5300 Explorer Drive
 Mississauga ON L4W 5G4
 Tel: 1 877 GO FESTO
 Fax: 1 877 FX FESTO
 process.automation@ca.festo.com
www.festo.ca

www.zaytran.com/drip-legs

ZDL.PS1.US 2016/09