

# Long-stroke gripper DHPL

FESTO



## Long stroke, lightweight!

### Highlights

- Lightweight
- Sturdy and wear-resistant guide
- Can be used for internal and external gripping
- Maintenance-free

For lifting tasks involving larger goods, you need wider gripper opening strokes and clamping distances. The new long-stroke gripper DHPL meets both these requirements for internal and external gripping, and is very precise despite being surprisingly light. It is ideal for stacking boxes, gripping plates and shaped parts or keeping bags open.

### Everything gripped with ease!

It offers everything you expect from a good long-stroke gripper, such as secure gripping with the right level of rigidity thanks to a sturdy and wear-resistant guide, but without making it too heavy as a front-end unit.

### Perfect control

The gripper is equipped with sensors to indicate gripping states and provide signals for further process steps. This means that you have all the important data available at a glance.

### The solution for your task

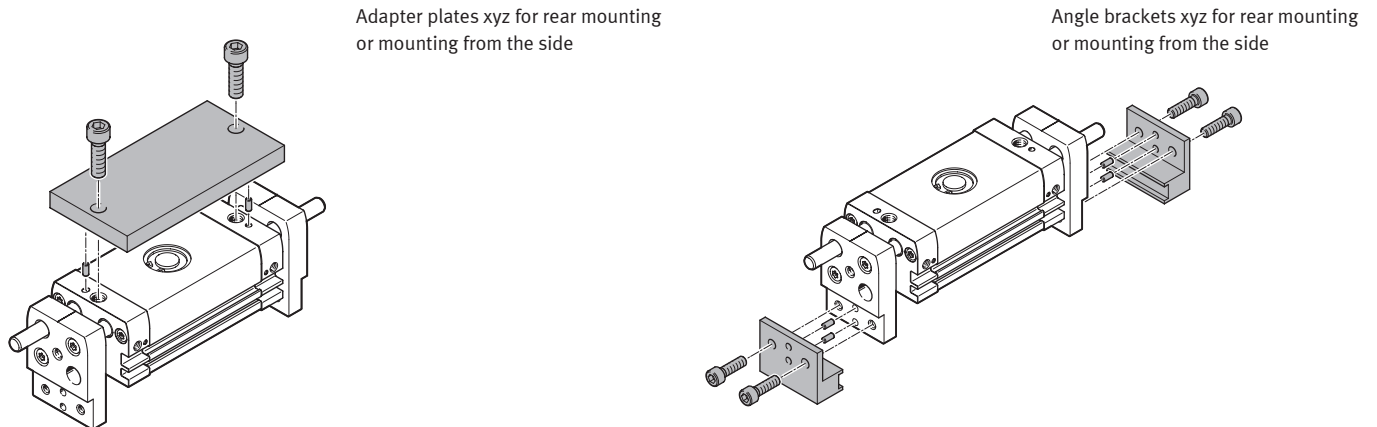
The new DHPL has with first-class features like shock absorber mounting or interfaces for gripper fingers or angle brackets, is maintenance-free and offers a wide range of sensing options.

# Long-stroke gripper DHPL

## Product overview



## Mounting



## Technical data

Size	DHPL-10		DHPL-16		DHPL-20		DHPL-25		DHPL-32		DHPL-40	
Gripper jaw stroke total [mm]	20	60	30	80	40	100	50	120	70	160	100	200
Gripping forces at 0,6 MPa (6 bar, 87 psi), closing [N]	38 ... 992											
Weight [g]	251	377	499	802	883	1407	1447	2297	2634	4154	4480	6480
Pneumatic connection	M5								G1/8			
Pressure range [MPa]	0.25 ... 0.8		0.15 ... 0.8									
Closing time [s]	≤0.2											
Repetition accuracy [mm]	≤0.03											
Ambient temperature [°C]	-10 ... +60											
Degree of protection	IP54											