

Parallel gripper DHPC

FESTO



Everything in grip

Highlights

- Compact design
- Powerful gripping force
- Precise guide
- High accuracy
- Good interchangeability
- Any mounting position
- Long service life
- Many variants to meet different requirements

The DHPC is a gripper with the most compact design and powerful gripping force on the market. The precise ball bearing guide ensures a long service life and the different variants a wide range of requirements.

Grippers are a commonly used product in pick & place processes. The need to increase productivity demands shorter cycle times and greater speeds. This requires a long service life, robust performance and fast repairs. The DHPC has a good wear-resistance ball bearing guide as well as pin holes for positioning on any mounting surface.

In addition, more and more customers want ever smaller machines. That is why the DHPC has the most compact design on the market yet delivers a powerful gripping force. To simplify the design process, many variants are available for selection, such as different gripper fingers, different supply options, dust protection as well as versions free of copper/zinc.

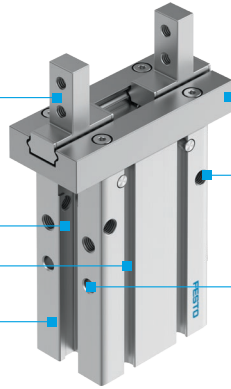
Parallel gripper DHPC

Features of DHPC

Ground-in gripper fingers
Improved strength and accuracy

Sensor mounting slots
Available for both T- and C- slots

Free of copper and zinc
Suitable for battery production



Precise ball bearing guide
Zero clearance and low friction force

Threaded mounting holes
Suitable for mounting in any direction

Positioning pin holes
Ideal for high accuracy and quick replacement
Available for all directions

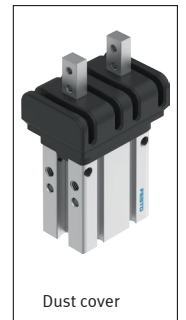
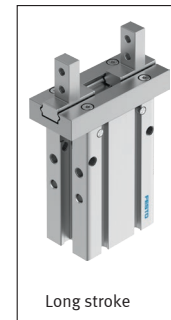
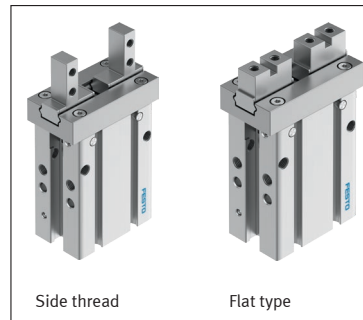
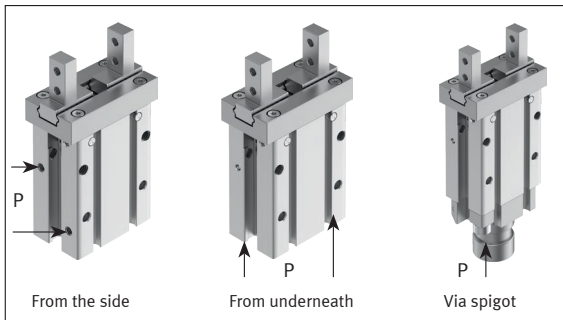
Variants of DHPC

Three supply options

Two extra finger designs

Long stroke

Dust protection



Festo offers different combinations of these types to meet a range of requirements.

Technical data of DHPC

DHPC							
Size	6	10	16	20	25	32	40
Operating pressure [MPa]							
Double-acting	0.15 – 0.8	0.2 – 0.8	0.1 – 0.8				
Single-acting	0.35 – 0.8	0.35 – 0.8	0.25 – 0.8				
Ambient temperature [°C]	-10 ... +60						
Max. frequency [Hz]	3					1	
Repetition accuracy [mm]	±0.01					±0.02	
Max. interchangeability [mm]	≤0.2						
Max. rotational symmetry [mm]	≤0.2						

Note: Sizes 6 – 16 are available now, other sizes will be released soon.



Size		6	10	16	20	25	32	40
Gripping force per gripper jaw								
DHPC-...-A	Opening	7.3	25.6	64.7	96.3	152.6	246.9	388.6
	Closing	5.5	21.5	53.9	79.8	127.8	221.3	358.6
DHPC-...-NO	Closing	3.9	16.4	43.4	69.7	120.6	207.6	337.5
DHPC-...-NC	Opening	5.2	19.6	50.5	85.5	145.7	233	366.8