



Powerful, lightweight, inexpensive Service unit component series MS-B

Filter regulators MS-LFR-B



- Pneumatic connection 1, 2:
G1/4, G1/2
- Standard nominal flow rate:
1500 ... 1800 l/min, 4200 l/min

Pressure regulators MS-LR-B



- Pneumatic connection 1, 2:
G1/4, G1/2
- Standard nominal flow rate:
2000 l/min, 5800 l/min

The MS-B in a robust polymer housing offers you attractively priced basic components focused on the most important technical functions of compressed air preparation.

And it is fully compatible with the MS series. This allows you to create the best possible mix of low-cost basic functions and any high-end functions you need.

- Fully compatible with the MS series
- Can be individually combined
- Lightweight thanks to modern polymer materials
- Low cost
- Easy to use

Selection and ordering

Check our electronic catalogue for the components and solutions we offer.

→ www.festo.com/xdki

Or simply contact your Festo sales engineer, who will be happy to help you.

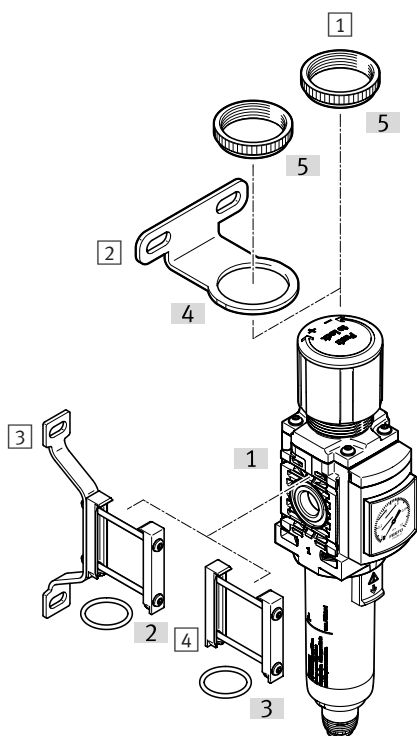
Order code

001	002	003	004	005	006	007	008	009	010	011
MS		LFR		D6	E	P		AG		B

001	Series	007	Bowl type
MS	MS series	P	Polymer
002	Size	008	Condensate drain
4	Grid dimension 40 mm	M	Manual
6	Grid dimension 62 mm	VC	Fully automatic, normally closed
003	Function	009	Pressure gauge alternatives
LFR	Filter regulator	AG	MS pressure gauge
004	Pneumatic connection	010	Alternative pressure gauge scale
1/4	Female thread G1/4	BAR	bar/psi
1/2	Female thread G1/2	MPA	MPa
005	Pressure regulation range	011	Version
D6	0.3 ... 7 bar	B	2nd generation
006	Grade of filtration		
E	40 µm		

Ordering data

Pneumatic connection	Condensate drain	Pressure gauge scale	Part no.	Type
Size 4: pressure regulation range 0.3 ... 7 bar, grade of filtration 40 µm, with condensate drain, with MS pressure gauge				
G1/4	Manual	bar/psi	8098258	MS4-LFR-1/4-D6-E-P-M-AG-BAR-B
		MPa	8098254	MS4-LFR-1/4-D6-E-P-M-AG-MPA-B
	Fully automatic	bar/psi	8098264	MS4-LFR-1/4-D6-E-P-VC-AG-BAR-B
		MPa	8098256	MS4-LFR-1/4-D6-E-P-VC-AG-MPA-B
Size 6: pressure regulation range 0.3 ... 7 bar, grade of filtration 40 µm, with condensate drain, with MS pressure gauge				
G1/2	Manual	bar/psi	8098304	MS6-LFR-1/2-D6-E-P-M-AG-BAR-B
		MPa	8098307	MS6-LFR-1/2-D6-E-P-M-AG-MPA-B
	Fully automatic	bar/psi	8098312	MS6-LFR-1/2-D6-E-P-VC-AG-BAR-B
		MPa	8098305	MS6-LFR-1/2-D6-E-P-VC-AG-MPA-B



- 1 Nut MS...-WRS, for front panel mounting → page 4
- 2 Mounting bracket MS...-WR-B, for wall mounting → page 4
- 3 Wall mounting kit MS...-WPE-B, for connecting the modules for wall mounting → page 4
- 4 Module connector MS...-MV1 → page 4
- Filter cartridge MS...-LFP1 → page 4

Order code

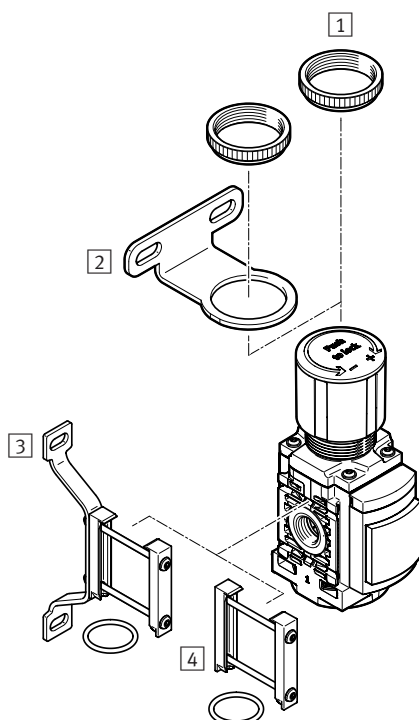
001	002	003	004	005	006	007	008
MS		LR		D6	AG		B

001	Series
MS	MS series
002	Size
4	Grid dimension 40 mm
6	Grid dimension 62 mm
003	Function
LR	Pressure regulator
004	Pneumatic connection
1/4	Female thread G1/4
1/2	Female thread G1/2
005	Pressure regulation range
D6	0.3 ... 7 bar

006	Pressure gauge alternatives
AG	MS pressure gauge
007	Alternative pressure gauge scale
BAR	bar/psi
MPA	MPa
008	Version
B	2nd generation

Ordering data

Pneumatic connection	Pressure gauge scale	Part no.	Type
Size 4: pressure regulation range 0.3 ... 7 bar, with MS pressure gauge			
G1/4	bar/psi	8099358	MS4-LR-1/4-D6-AG-BAR-B
	MPa	8099359	MS4-LR-1/4-D6-AG-MPA-B
Size 6: pressure regulation range 0.3 ... 7 bar, with MS pressure gauge			
G1/2	bar/psi	8099205	MS6-LR-1/2-D6-AG-BAR-B
	MPa	8099204	MS6-LR-1/2-D6-AG-MPA-B



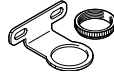
- 1 Nut MS...-WRS, for front panel mounting → page 4
- 2 Mounting bracket MS...-WR-B, for wall mounting → page 4
- 3 Wall mounting kit MS...-WPE-B, for connecting the modules for wall mounting → page 4
- 4 Module connector MS...-MV1 → page 4

1 Nut MS...-WRS

Size	Part no.	Type
For front panel mounting		
4	532187	MS4-WRS
6	532188	MS6-WRS

4 Module connector MS...-MV1

Size	Part no.	Type
For connecting the modules		
4	8119201	MS4-MV1
6	8119204	MS6-MV1

2 Mounting bracket MS...-WR-B

Size	Part no.	Type
For wall mounting, knurled nut included in scope of delivery		
4	8149680	MS4-WR-B
6	8149681	MS6-WR-B

Filter cartridge MS4-LFP1-E

Size	Part no.	Type
Grade of filtration 40 µm		
4	8129062	MS4-LFP1-E

3 Wall mounting kit MS...-WPE-B

Size	Part no.	Type
For connecting the modules for wall mounting		
4	8118600	MS4-WPE-B
6	8118599	MS6-WPE-B