

HGPL Long-Stroke Gripper

FESTO



A Sturdy, Compact, and Powerful Gripper

The new HGPL long-stroke gripper with high gripping forces for “Pick and Place” applications. Streamlined design with integrated proximity sensors and adjustable opening stroke.

Complete Integration

SM-...-10 sensors can be integrated in the housing slots – as opposed to inductive sensors, which require bulky mounting brackets and sheet metal lugs.

Faster Speed

The adjustable opening stroke allows you to optimize cycle times.

Reliable Operation

Absorbs high torque loads and process forces, even in dynamic applications.

Integration in the Festo Modular Handling System

Can be adapted to a wide range of slides, handling units and rotary actuators.

User-Friendly Gripper Selection Software

User-friendly software ensures proper gripper selection.

Typical Applications

- Gripping of large workpieces using high process forces
- Applications requiring long gripping strokes
- General machine building
- Machine tool manufacturing

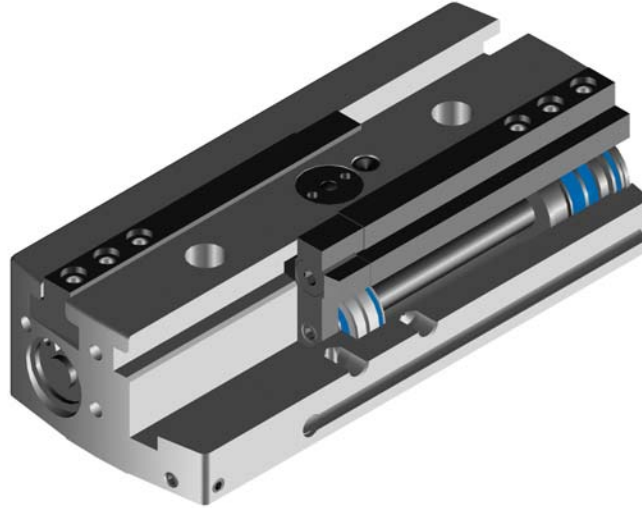
HGPL.PSI.US

Product Short Information

HGPL Long-Stroke Gripper

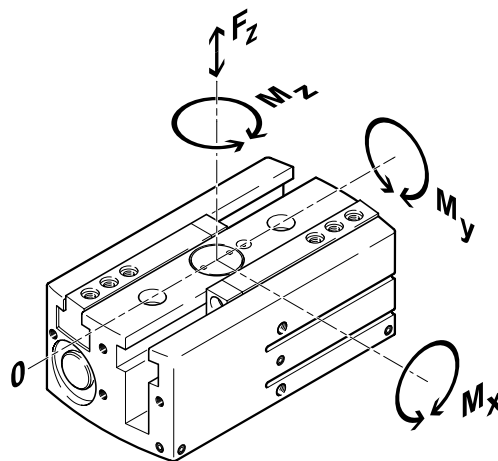
Variants and designs

- Guide: T-slot plain bearing guide
- Sensing option: SM-...-10 sensors
- Accessories: unmachined gripper fingers
- Adjustable opening stroke
- Lubrication nipple permits relubrication of the guide



Technical Data

Long-Stroke Gripper		HGPL-14		HGPL-25		HGPL-40	
Piston diameter	[mm]	14		25		40	
Total gripper jaw stroke (adjustable)	[mm]	80	160	80	160	80	160
Opening stroke adjustment approx.	[%]	50					
Gripping force at 6 bar, opening	[N]	150		494		1266	
Gripping force at 6 bar, closing	[N]	184		590		1508	
Repetition accuracy	[mm]	< 0.03					
Pressure range	[bar]	4 ... 8					
Closing time	[s]	< 0.2					



Characteristic Load Values at the Gripper Jaws

Piston Diameter		14	25	40
Max. permissible force F_z	[N]	500	1500	2500
Max. permissible torque M_x	[Nm]	35	100	125
Max. permissible torque M_y	[Nm]	35	60	80
Max. permissible torque M_z	[Nm]	35	70	100

For ordering and product assistance, or to find your nearest Festo Distributor in the USA,

Call: 1.800.99.FESTO
Fax: 1.800.96.FESTO
E-mail: customerservice@us.festo.com
Visit: www.festo.com/us