

Long-stroke grippers HGPL

FESTO



Sturdier!

Sturdy, powerful and space-optimised

The new long-stroke gripper HGPL for mechanical engineering. Convincing design with integrated proximity sensors and adjustable opening stroke.

Complete integration ...

SM...10 sensors can be integrated in the housing. All without sheet metal lugs with attached sensor brackets and inductive sensors.

Fully compatible

Free and easy combination with a wide range of slides, handling axes and rotary drives from the Festo modular handling system.

Faster

... Thanks to the adjustable opening stroke – even the smallest optimisation i.e. reduction of the opening stroke speeds of the process.

Simply user-friendly

... Gripper software for selecting and designing gripper solutions.

Controlled

Absorbs high torque loads and process forces, even in dynamic applications.



Balls ...

pipes ...

shafts.

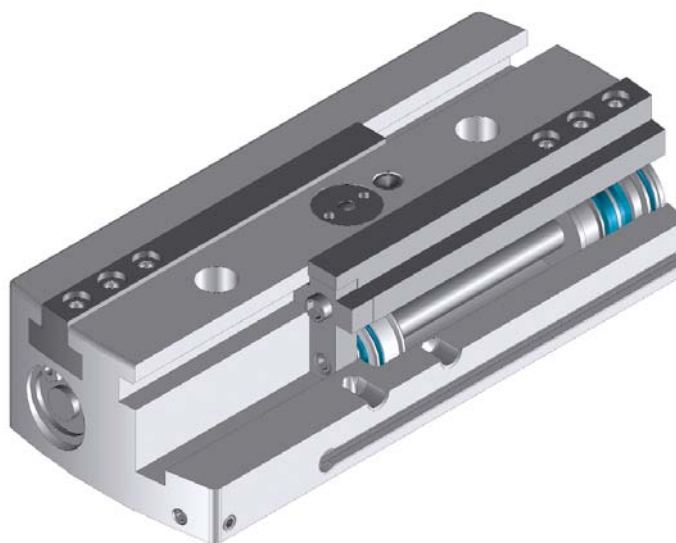
139.2.PSI →

Product Short Information

Long-stroke grippers HGPL

Variants and designs

- Guide: T-slot plain bearing guide
- Sensing option: SM..-10 sensors
- Accessories: unmachined gripper fingers
- Adjustable opening stroke
- Lubrication nipple permits relubrication of the guide



Technical data

Size		HGPL-14		HGPL-25		HGPL-40	
Gripper jaw stroke per gripper jaw	[mm]	40	80	40	80	40	80
Opening stroke adjustment	approx. %	50	50	50	50	50	50
Gripping forces at 6 bar, opening, per gripper jaw	[N]	60		185		530	
Gripping forces at 6 bar, closing, per gripper jaw	[N]	75		230		640	
Repetition accuracy		< 0.1 mm					
Pressure range		4 ... 8 bar					
Closing time		< 0.2 s					

Festo AG & Co. KG

Ruiter Strasse 82
 73734 Esslingen
 Internet www.festo.com
 Tel. ++49 (0)711 347-0
 Fax ++49 (0)711 347-2144
 E-mail service_international@festo.com