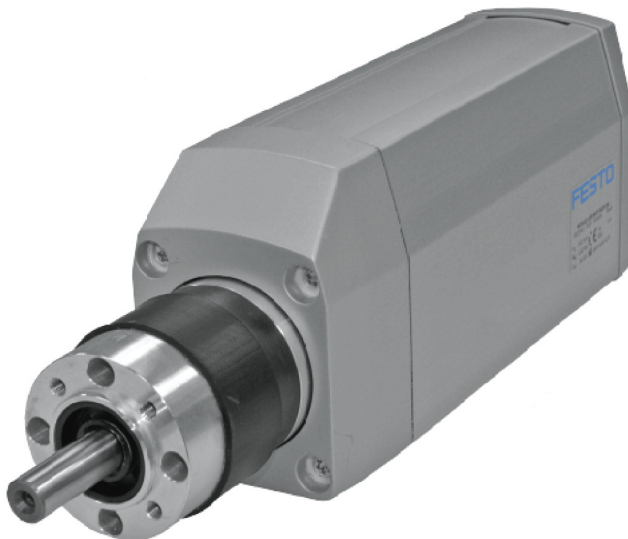


# Compact Integrated Servo Motors

**FESTO**



**Type Code: MTR-ECI-...-EP-SA**

## Product

Low voltage, compact synchronous positioning servo motor with integrated drive, gear box, and encoder. This innovative motor/drive package is EtherNet/IP enabled and consists of a brushless EC motor, a positioning controller, power electronics and multi-turn absolute encoder. Powered by commonly available 24V DC source, these drive/motor combinations allow for a completely decentralized approach for motion control tasks.

Typical applications include replacement of handwheels for faster adjustments and integration into HMIs for menu-driven automatic changeovers.

## Features

- The built in drive electronics can store up to 16 pre-configured motion profiles (position and speed). Both acceleration and deceleration data is preconfigured and applicable to all motion profiles
- Homing can be accomplished with a sensor or against a hard stop
- Connectivity to Rockwell PLCs via EtherNet/IP (integrated)
- MTR-ECI fulfills the safety functionality “safety stop” by: SO 13849-1:2006 Category 3 PL d SIL 2
- Corrosion resistance (to FN 940 070) – Class: KBK 1
- CE Conformity (UL certification – progress)
- Protection Class: Fully IP65
- Standard stainless steel shaft
- Optional internal magnetic holding brake
- Motors come standard with certified USDA-H1 lubrication (Food Grease)
- Nominal velocity ranges up to 592 RPM (with G7 gear option) and torque range up to 5.6 Nm. Higher torques of 35.45 Nm are possible with larger gear ratios (with G169 gear option).

## Benefits

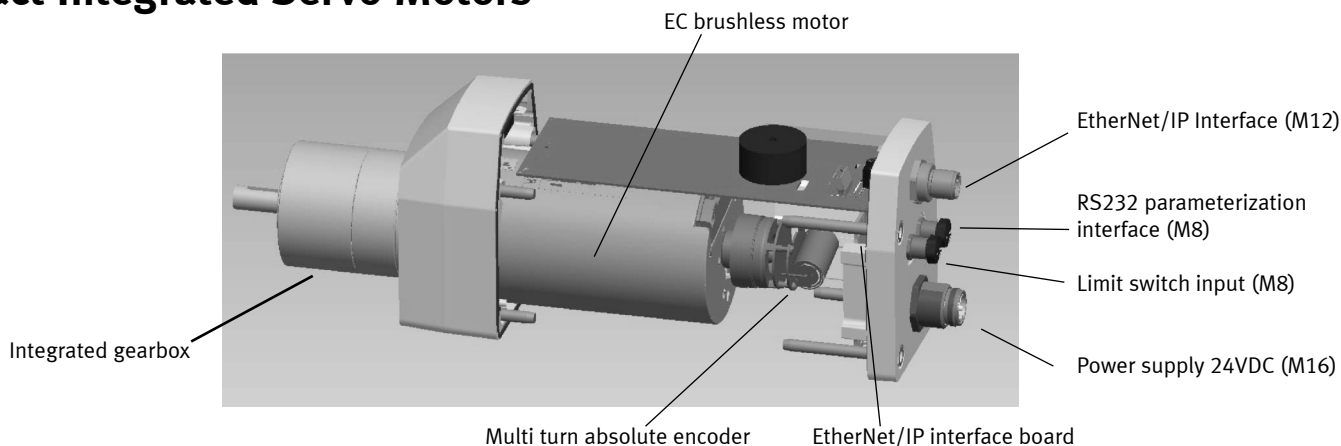
- Significant improvements in productivity – production time can be improved due to the short set-up times and automated process variable settings through intelligent movement control
- Integration of motor and drive in one housing significantly reduces wiring – simplicity in implementation/troubleshooting and better noise immunity
- Quick start up – no homing required – Multi Turn Encoders
- Lower engineering cost can be achieved through distributed drive architecture (simplified wiring and the package is cabinet-free)
- Fast and reliable sizing and selection using PositioningDrives– Festo electromechanical sizing tool
- Reduced engineering costs – simple configuration software (Festo configuration Tool – FCT)
- Easy integration into the RSLogix environment using the Festo Add On Instructions (AOI)
- Simple mechanical coupling to Festo linear actuators
- Long Service life – brushless (ECI)

**MTR-ECI-EP-SA.PSI.US**

Product Short Information

# Compact Integrated Servo Motors

## Options



## Order Code

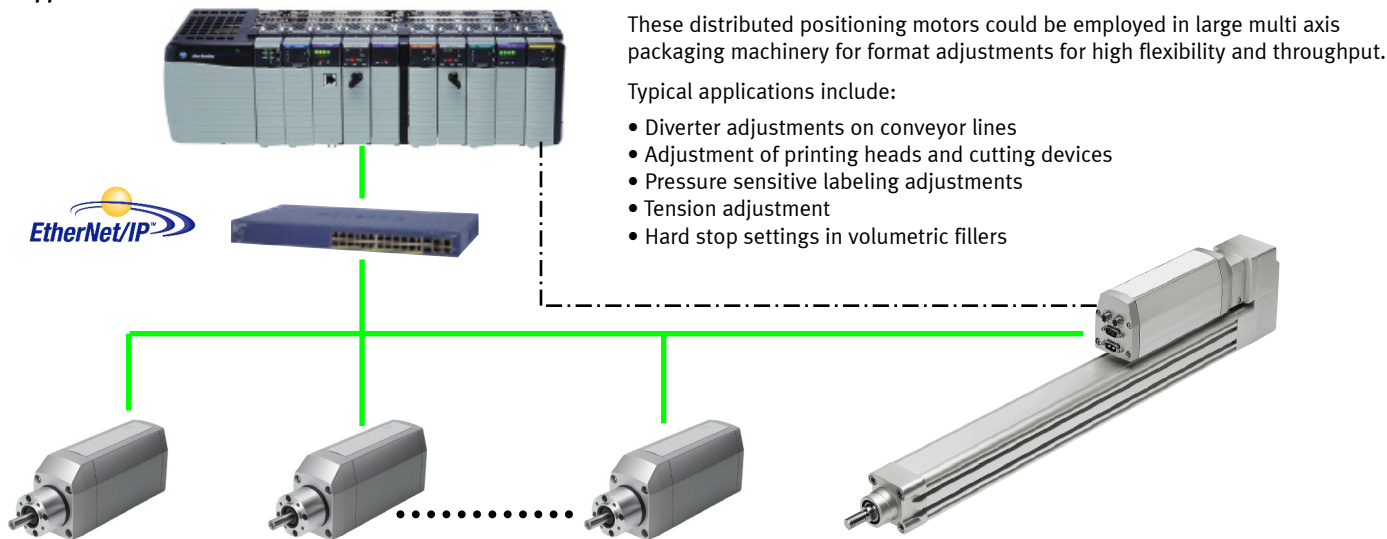
Type Code	Description	Part Number
MTR-ECI-52R-MG7-R2EP-SA	Gear Ratio 7:1 (G7); Nominal Velocity (RPM) 592; Nominal Torque (Nm) 1.62	8025943
MTR-ECI-524-MG14-R2EP-SA	Gear Ratio 14:1 (G14); Nominal Velocity (RPM) 290; Nominal Torque (Nm) 3.08	8025942
MTR-ECI-52R-MG25-R2EP-SA	Gear Ratio 25:1 (G25), Nominal Velocity (RPM) 160; Nominal Torque (Nm) 5.6	8028019

\*Higher gear ratio options are available upon request

## The following are standard for all motors:

- Brushless EC motors
- Integrated EtherNet/IP interface
- Multi-turn absolute encoder
- IP65 protection level
- Stainless steel shaft

## Applications



## SA Mission Statement

If standard products don't solve the problem, the Festo Special Applications (SA) department will work to devise a customized solution optimized for price and performance.

Special Applications or customized solutions to meet customer requirements are produced in continuous dialogue, for which we have the necessary infrastructure in place. Our SA department will work with you to develop the right solution, whether the SA is a small change to a standard product or a totally custom designed product.

Jointly developed individual solutions create competitive advantages for Festo customers. Moreover, reinforcing trust and developing high quality innovations foster a unique partnership. This ultimately creates success for the customer.

Subject to change

## Festo Corporation

Commercial support:  
**Call:** 1.800.99.FESTO (1.800.993.3786)  
**Fax:** 1.800.96.FESTO (1.800.963.3786)  
**Email:** customer.service@us.festo.com  
**Visit:** www.festo.com/us

Technical support:  
**Call:** 1.866.GO.FESTO (1.866.463.3786)  
**Fax:** 1.800.96.FESTO (1.800.963.3786)  
**Email:** product.support@us.festo.com