

2-Way NPT Ball Valve Assembly VZBE-DFPD

Stainless Steel Valve Preassembled with Pneumatic Actuator

FESTO



Ready-to-Install

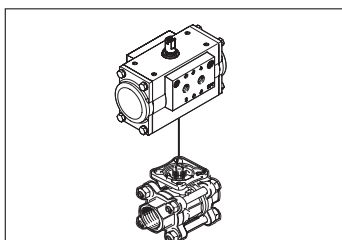
Highlights

- One part number simplifies ordering and logistics
- Faster delivery
- No assembly required
- 3-piece valve design allows for easy repair and cleaning after installation
- Simple addition of accessories due to standard interfaces

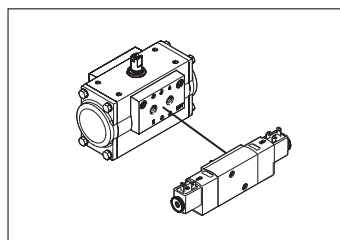
This unbeatable package is both economical and a time saver. Festo has matched torques, mounting patterns and hardware so you don't have to. This reduces the time required for valve selection, calculation and sizing of the actuator and design of assembly hardware. It simplifies your logistics and procurement and ensures a working solution everytime.

Features

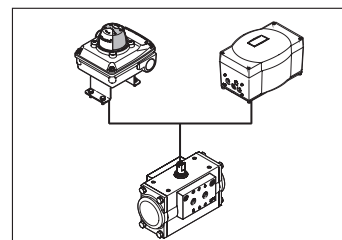
- High flow full port valve
- Simple pneumatic actuation
- Dual piston rack and pinion quarter turn actuator
- Double acting and spring return actuators (fail closed and fail open options)
- ISO/Namur/VDI/VDE interfaces for accessories
- Suitable for outdoor, hazardous location and certain washdown environments
- Suitable for range of fluids and inert gases



Ball valve (VZBE) and actuator (DFPD) preassembled



Optional accessories
NAMUR valves: VSNC



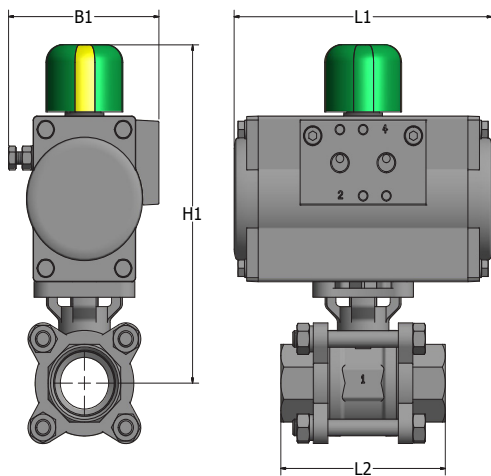
Optional accessories
Sensor boxes: SRBC/E/G
Positioner: CMSX

2-Way NPT Ball Valve Assembly VZBE-DFPD

Stainless Steel Valve Preassembled with Pneumatic Actuator

General Technical Data											
Ball Valve connection [inch]	1/4"	3/8"	1/2"	3/4"	1"	1 1/4"	1 1/2"	2"	2 1/2"	3"	4"
Valve Function/Construction	2-way, 3-piece ball valve with ISO5211 mounting pad for direct mount										
Valve Material	316 Stainless steel body, ball, and stem, PTFE Seat, PTFE Seals										
Valve Connections	NPT (according to ANSI B1.20.1)										
Media Type	Water, Oil, Gas, Any fluid media that is non-abrasive or non-corrosive to the valve materials										
Media Pressure	High vacuum up to 1000 psi										
Media Temperature	-4°F to 300°F (-20°C to 150°C)*										
Actuator Type	DFPD, quarter-turn pneumatic actuator. Meets ISO5211, NAMUR, and VDI/VDE 3845 standards										
Nominal Supply Pressure	80 psi (5.5 bar)										
Actuator Sizes (Double Acting)	DFPD-10		DFPD-20		DFPD-40		DFPD-80		DFPD-120	DFPD-160	
Actuator Sizes (Spring Return)	DFPD-20		DFPD-40	DFPD-80		DFPD-120	DFPD-160	DFPD-240	DFPD-300		

* Valves can handles up to 392°F (200°C), but for temperatures exceeding 300°F (150°C), a DFPD actuator with Viton seals is recommended



Dimensions [in]								
Size [inch]	Double Acting				Single Acting			
	B1	H1	L1	L2	B1	H1	L1	L2
1/4"	2.76	5.50	4.91	2.56	3.06	5.90	5.74	2.56
3/8"	2.76	5.50	4.91	2.56	3.06	5.90	5.74	2.56
1/2"	2.76	5.55	4.91	2.56	3.06	5.94	5.74	2.56
3/4"	3.06	6.06	5.25	2.95	3.53	6.54	6.71	2.95
1"	3.06	6.44	5.25	3.35	4.25	7.62	8.78	3.35
1 1/4"	3.53	7.11	5.96	3.98	4.25	7.82	8.78	3.98
1 1/2"	3.53	7.52	5.96	4.41	4.25	8.23	8.78	4.41
2"	4.25	8.54	8.94	5.12	4.87	9.06	9.93	5.12
2 1/2"	4.25	9.31	8.94	6.38	5.25	10.26	10.67	6.38
3"	4.87	10.14	8.41	7.40	6.06	11.59	11.87	7.40
4"	5.25	11.75	9.09	8.82	6.34	13.25	13.17	8.82

Size [inch]	Double Acting Assembly		Single Acting Assembly (Fail Closed)		Single Acting Assembly (Fail Open)	
	Part Number	Type Code	Part Number	Type Code	Part Number	Type Code
1/4"	13119827	VZBE-1/4-DFPD-10-DA-CS	13119848	VZBE-1/4-DFPD-20-FC-CS	13120037	VZBE-1/4-DFPD-20-FO-CS
3/8"	13119828	VZBE-3/8-DFPD-10-DA-CS	13119849	VZBE-3/8-DFPD-20-FC-CS	13120038	VZBE-3/8-DFPD-20-FO-CS
1/2"	13119829	VZBE-1/2-DFPD-10-DA-CS	13119850	VZBE-1/2-DFPD-20-FC-CS	13120039	VZBE-1/2-DFPD-20-FO-CS
3/4"	13119840	VZBE-3/4-DFPD-20-DA-CS	13119851	VZBE-3/4-DFPD-40-FC-CS	13120040	VZBE-3/4-DFPD-40-FO-CS
1"	13119841	VZBE-1-DFPD-20-DA-CS	13119852	VZBE-1-DFPD-80-FC-CS	13120041	VZBE-1-DFPD-80-FO-CS
1 1/4"	13119842	VZBE-11/4-DFPD-40-DA-CS	13119853	VZBE-11/4-DFPD-80-FC-CS	13120042	VZBE-11/4-DFPD-80-FO-CS
1 1/2"	13119843	VZBE-11/2-DFPD-40-DA-CS	13119854	VZBE-11/2-DFPD-80-FC-CS	13120043	VZBE-11/2-DFPD-80-FO-CS
2"	13119844	VZBE-2-DFPD-80-DA-CS	13119855	VZBE-2-DFPD-120-FC-CS	13120044	VZBE-2-DFPD-120-FO-CS
2 1/2"	13119845	VZBE-21/2-DFPD-80-DA-CS	13119856	VZBE-21/2-DFPD-160-FC-CS	13120045	VZBE-21/2-DFPD-160-FO-CS
3"	13119846	VZBE-3-DFPD-120-DA-CS	13119857	VZBE-3-DFPD-240-FC-CS	13120046	VZBE-3-DFPD-240-FO-CS
4"	13119847	VZBE-4-DFPD-160-DA-CS	13119858	VZBE-4-DFPD-300-FC-CS	13120047	VZBE-4-DFPD-300-FO-CS

All assemblies are sized for nominal pilot pressure of 80 psi (5.5 bar)

Common Accessories		
Part Number	Type Code	Description
577262	VSNC-FC-M52-MD-N14-F8	Single solenoid, Namur valve (no coil)
8030802	VACF-B-B2-1	24VDC for VSNC valve
8030806	VACF-B-B2-16B	120VAC Coil for VSNC valve
34431	MSSD-F	Plug socket for VSNC coils
3482805	SRBC-CA3-YR90-MW-22A-1W-C2P20	General purpose sensor box

For variants or additional assembly options, please contact Festo

Festo Corporation

1377 Motor Parkway
Suite 310
Islandia, NY 11749

www.festo.us