

# Ball screw axis ELGC-BS and toothed belt axis ELGC-TB

FESTO



## Compact movement!

### Highlights

- Compact and lightweight
- Low cost and durable
- Easily assembled into multi-axis systems
- Protected for cleanrooms or dirty environments
- Fast delivery from local stock

Compact dimensions and optimized installation space make the low-cost axis series ELGC ideal for a wide range of applications. These features are a clear advantage in electronics assembly, gluing and dispensing, small parts handling, lab automation and other desktop applications. The ball screw and toothed belt axes are designed to easily assemble into compact multi-axis systems, and are perfectly complemented by the guide axis ELFC and the mini slide EGSC.

#### Powerful and low cost

Capable of carrying heavy loads and very durable, the competitively-priced linear axes ELGC are built to run all day long.

#### Protected

Built-in breathing port to apply pressurized air in dirty environments or apply vacuum in cleanrooms.

The magnetic, stainless steel band provides a tight seal and doesn't sag in inverted installations.

#### Ball screw axis ELGC-BS-KF

Internal ball screw for precision and smooth operation.

#### Toothed belt axis ELGC-TB-KF

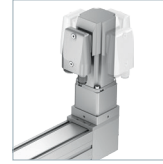
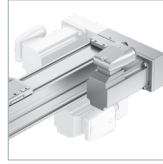
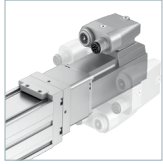
Internal toothed belt for dynamic movements over long strokes.

#### Passive guide axis ELFC-KF

Linear guide axis with freely movable carriage and recirculating ball bearing guide. Ideal for supporting high forces and moments and reducing vibrations during movement.

# Ball screw axis ELGC-BS and toothed belt axis ELGC-TB

## Features and benefits

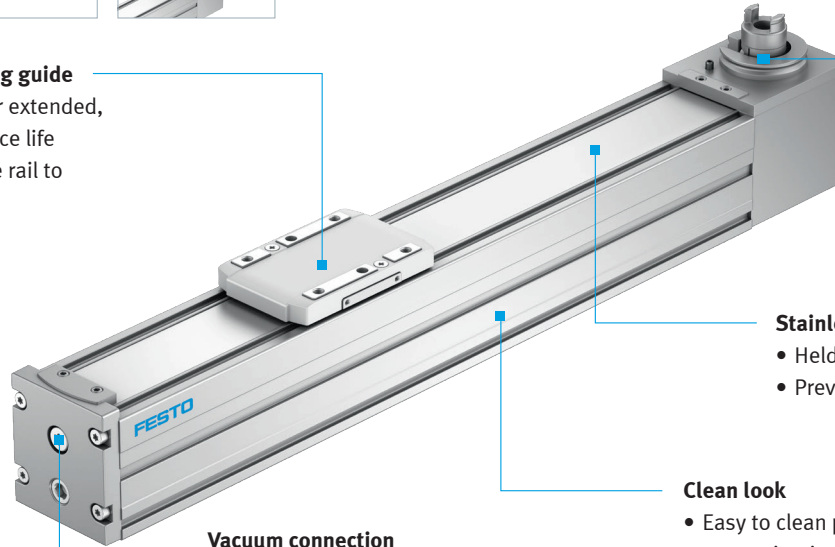


### Flexible motor mounting

- Modify motor orientation at any time
- Parallel and axial kits for the ELGC-BS provide even greater flexibility for motor position

### Recirculating ball bearing guide

- Life-time lubrication for extended, maintenance-free service life
- Rigid and precise guide rail to absorb high forces



### Compact integrated coupling

- Minimize motor footprint
- Easy motor mounting

### Stainless steel cover band

- Held in place with magnetic strips
- Prevents dirt from entering the axis

### Clean look

- Easy to clean profile and less prone to contamination
- Professional appearance customers will appreciate

### Vacuum connection

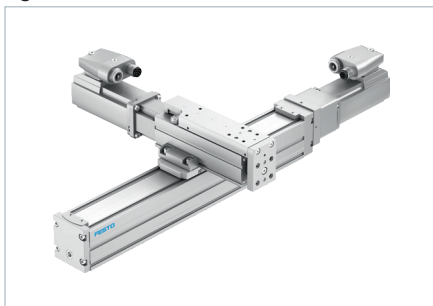
- Closed to seal the axis and reduce particle emissions
- Connect a standard fitting to apply pressurized air or to apply vacuum



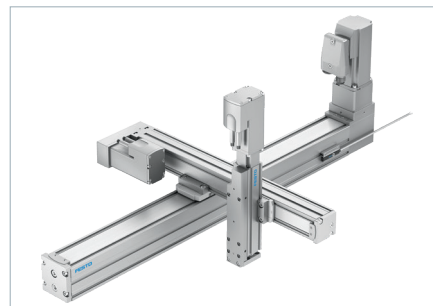
Technical data	Ball screw axis ELGC-BS-KF	Toothed belt axis ELGC-TB-KF	Guide axis ELFC-KF
Design	Electromechanical axis with ball screw	Electromechanical axis with toothed belt	Guide without drive
Sizes	32, 45, 60, 80	45, 60, 80	32, 45, 60, 80
Fixed strokes [mm]	100 ... 1,000	200 ... 2,000	100 ... 2,000
Max. feed force [N]	40, 100, 200, 350	75, 120, 250	-
Max. speed [m/s]	1	1.5	1.5
Max. acceleration [m/s <sup>2</sup> ]	15	15	15
Repeatability [µm]	± 15 (32, 45) / ± 10 (60, 80)	± 100	-

## Simple and compact systems

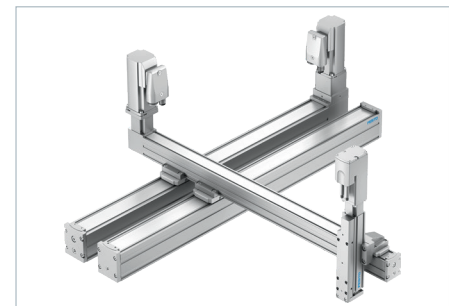
Easily assemble 2-axis and 3-axis Cartesian systems combining the ball screw and toothed belt axes ELGC with mini slide EGSC and passive guide axis ELFC.



Precision 2-axis solution with ELGC-BS and mini slide EGSC



Compact 3-axis solution with ELGC-TB, ELGC-BS and EGSC



Dynamic, heavy duty solution with ELGC-TB (x2), ELFC and EGSC

[www.festo.com](http://www.festo.com)