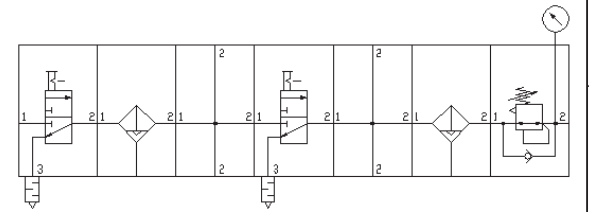
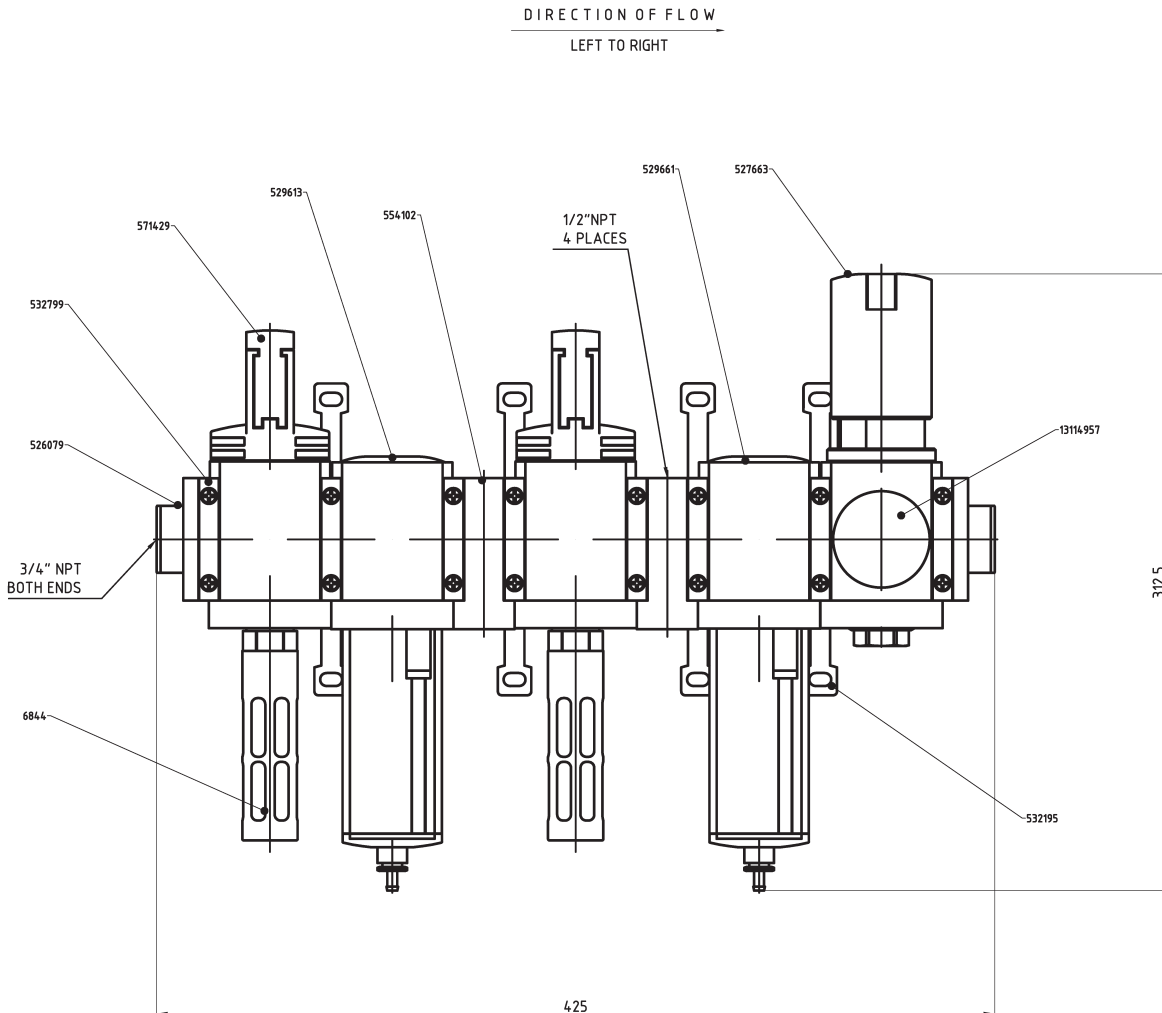


| QTY | PT NO | TYPE | DESCRIPTION |
|-----|----------|-----------------------------|------------------------------------|
| 2 | 571429 | MS6-EM1-1/2-R-SA | MANUAL ON/OFF VALVE |
| 1 | 529613 | MS6-LF-1/2-CUV | FILTER 5 MICRON w/ AUTO TRAIN |
| 1 | 529661 | MS6-LFM-1/2-BUV | FINE FILTER 1 MICRON w/ AUTO DRAIN |
| 2 | 554102 | MS6N-FRM-FRZ | BRANCHING MODULE |
| 1 | 527663 | MS6-LR-1/2-D6-A4-AS | PRESSURE REGULATOR |
| 1 | 13114957 | MA-50-150-R1/4-PSI/BAR-B-RG | RED/GREEN PRESSURE GAUGE |
| 4 | 532195 | MS6-WP | WALL MOUNT |
| 4 | 532799 | MS6-MV | MODULE CONNECTOR |
| 1 | 526079 | MS6-AQS | 3/4" NPT PORT BLOCK |
| 2 | 6844 | U-1/2-B | SILENCER |



13121081 3/4" STATION TOOLS AIR PREP

AUTOCAD drawing ASY

Unless otherwise specified dimensions are in mm.

| | | | | | |
|------------------------|--------------|----------------------|--------------|----------------|---------|
| 13121081 | | | | | |
| MSB6-13121081 | | | | | |
| STATION TOOLS AIR PREP | | | | | |
| | | Rev. Revision number | | Qty. Date Name | |
| | | * AS PER | | 2 | |
| | | Type MS-SERIES ASY | | | |
| F-JIS | Date | Name | Material | | |
| sign | | US8VGA | | | |
| check | | | | | |
| appr. | | | Sheet 1 of 1 | | |
| Scale | Designation | | Doc-No | Doc-Type | Part-No |
| NONE | SERVICE UNIT | | 001 | DRW | |

FESTO

DIN A2