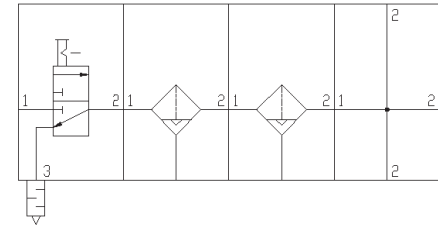
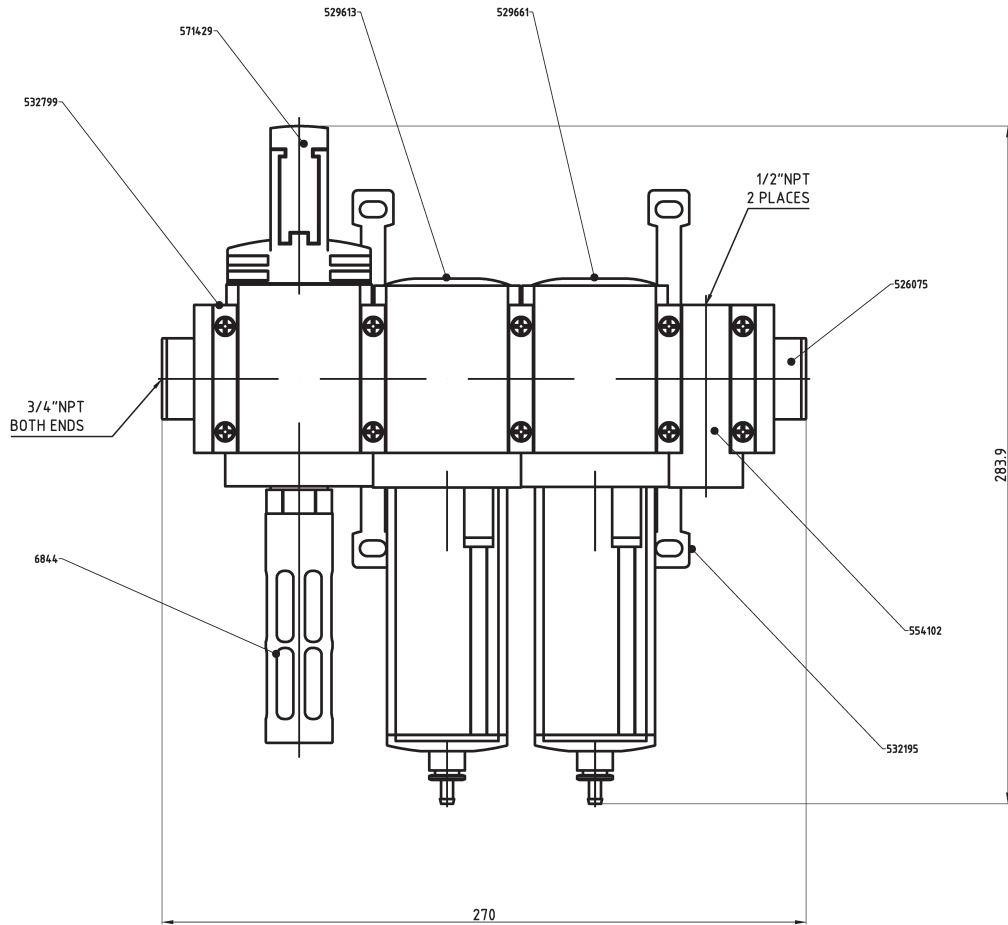


QTY	PT NO	TYPE	DESCRIPTION
1	571429	MS6-EM1-1/2-R-SA	MANUAL ON/OFF VALVE
1	529613	MS6-LF-1/2-CUV	FILTER 5 MICRON w/ AUTO TRAIN
1	529661	MS6-LFM-1/2-BUV	FINE FILTER 1 MICRON w/ AUTO DRAIN
1	554102	MS6N-FRM-FRZ	BRANCHING MODULE
2	532195	MS6-WP	WALL MOUNT
3	532799	MS6-MV	MODULE CONNECTOR
1	526079	MS6-AQS	3/4" NPT PORT BLOCK
1	6844	U-1/2-B	SILENCER



13121083 TIP DRESSER AIR PREP

AUTOCAD drawing ASY Unless otherwise specified dimensions are in mm.

13121083		Revision number		Qty.		Date		Name	
MSB6-13121083		AS PER		2				US8VISA	
TIP DRESSER AIR PREP		Type MS-SERIES ASY							
F-JIS	Date	Name	Material						
sign		US8VISA	FESTO						
check			Sheet 1 of 1						
appr.			made of						
Scale	Designation		Doc-No	Doc-Type		Part-No			
NONE	SERVICE UNIT		001	DRW					

DIM A2