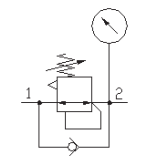
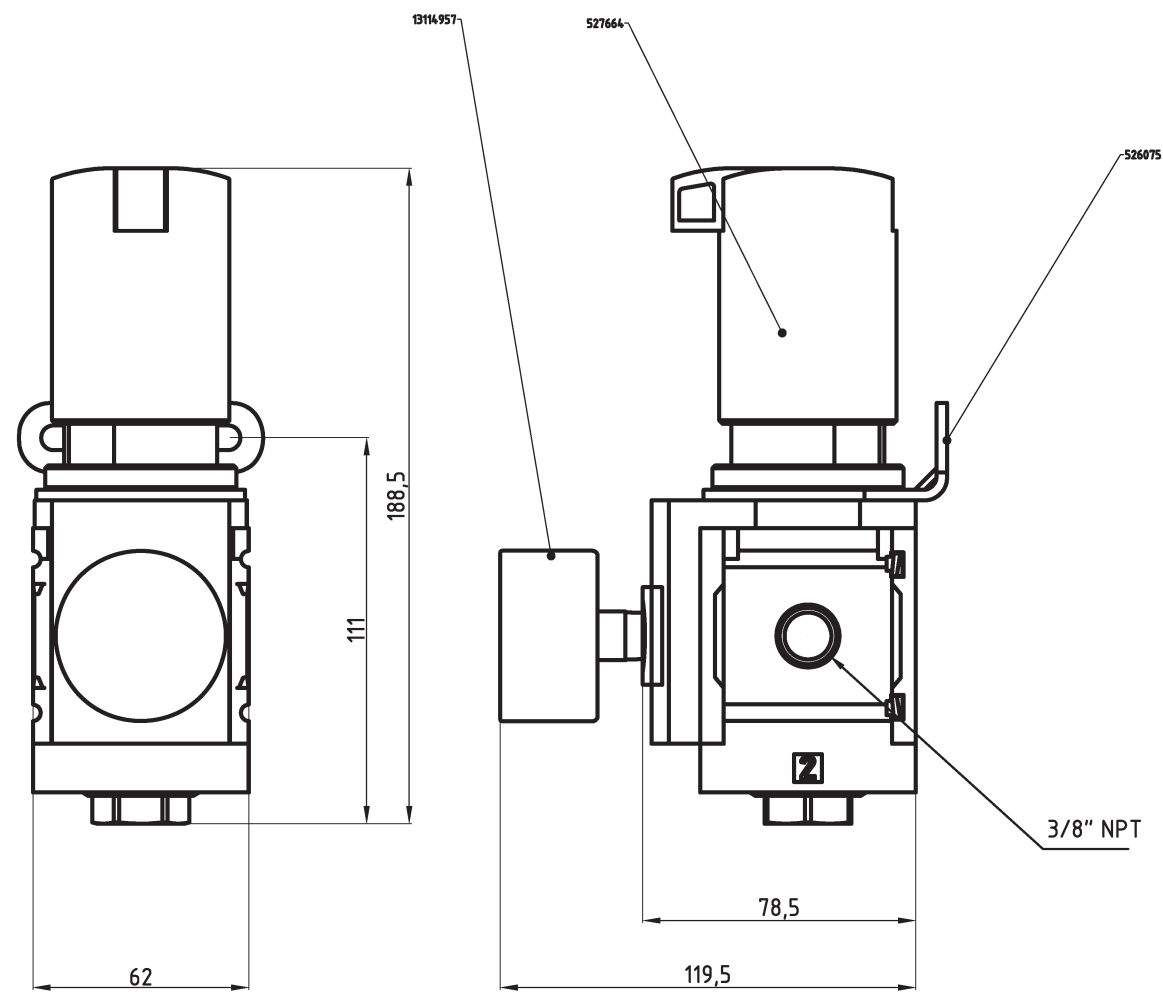


QTY	PT NO	TYPE	DESCRIPTION
1	527664	MS6N-LR-3/8-D6-A4-AS	PRESSURE REGULATOR
1	13114957	MA-50-150-R1/4-PSI/BAR	RED/GREEN PRESSURE GAUGE
1	526075	MS6-WR	WALL MOUNT

DIRECTION OF FLOW
LEFT TO RIGHT



13121100 3/8" NPT REGULATOR

AUTOCAD drawing ASY Unless otherwise specified dimensions are in mm.

13121100 3/8" NPT REGULATOR W/ GAUGE & BRACKET		<table border="1" style="width: 100%; border-collapse: collapse;"> <thead> <tr> <th>Rev.</th> <th>Revision number</th> <th>Qty.</th> <th>Date</th> <th>Mass</th> </tr> </thead> <tbody> <tr> <td>a</td> <td>AS PER</td> <td>2</td> <td></td> <td>USPVGA</td> </tr> </tbody> </table>	Rev.	Revision number	Qty.	Date	Mass	a	AS PER	2		USPVGA										
Rev.	Revision number	Qty.	Date	Mass																		
a	AS PER	2		USPVGA																		
<table border="1" style="width: 100%; border-collapse: collapse;"> <thead> <tr> <th>F-UIS</th> <th>Date</th> <th>Name</th> <th>Material</th> </tr> </thead> <tbody> <tr> <td>sign</td> <td></td> <td>USPVGA</td> <td></td> </tr> <tr> <td>check</td> <td></td> <td></td> <td></td> </tr> <tr> <td>appr.</td> <td></td> <td></td> <td>made of</td> </tr> </tbody> </table>		F-UIS	Date	Name	Material	sign		USPVGA		check				appr.			made of	<table border="1" style="width: 100%; border-collapse: collapse;"> <tr> <td colspan="2" style="text-align: center;">FESTO</td> </tr> <tr> <td style="text-align: right;">Sheet</td> <td style="text-align: left;">1 of 1</td> </tr> </table>	FESTO		Sheet	1 of 1
F-UIS	Date	Name	Material																			
sign		USPVGA																				
check																						
appr.			made of																			
FESTO																						
Sheet	1 of 1																					
<table border="1" style="width: 100%; border-collapse: collapse;"> <tr> <th>Scale</th> <th>Designation</th> <th>Doc-No</th> <th>Doc-Type</th> <th>Part-No</th> </tr> <tr> <td>NONE</td> <td>SERVICE UNIT</td> <td>001</td> <td>DRW</td> <td></td> </tr> </table>	Scale	Designation	Doc-No	Doc-Type	Part-No	NONE	SERVICE UNIT	001	DRW													
Scale	Designation	Doc-No	Doc-Type	Part-No																		
NONE	SERVICE UNIT	001	DRW																			

DIN A2