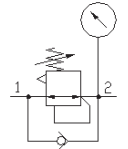
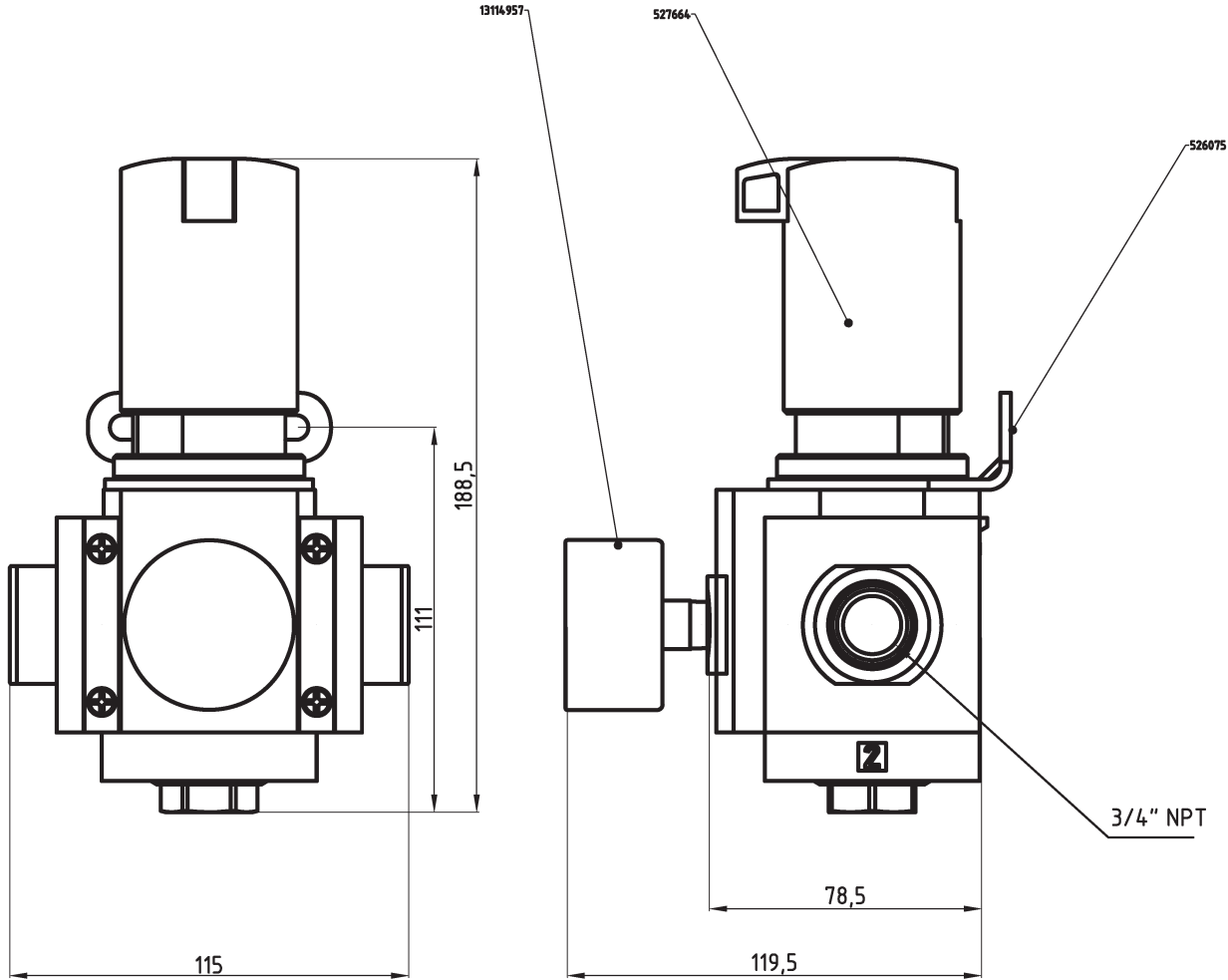


QTY	PT NO	TYPE	DESCRIPTION
1	527664	MS6N-LR-AQS-D6-A4-AS	PRESSURE REGULATOR
1	13114957	MA-50-150-R1/4-PSI/BAR	RED/GREEN PRESSURE GAUGE
1	526075	MS6-WR	WALL MOUNT

DIRECTION OF FLOW
LEFT TO RIGHT



13121101 3/4" NPT REGULATOR

AUTOCAD drawing ASY Unless otherwise specified dimensions are in mm.

13121101		Rev.	Revision number	Qty.	Date	Name
3/4" NPT REGULATOR W/ GAUGE & BRACKET		a	AS PER	2		USPVGA
		Type MS-SERIES ASY				
F-US	Date	Name	Material			
sign		USPVGA				
check						
appr.			made of			
Scale	Designation	Doc-No	Doc-Type	Part-No		
NONE	SERVICE UNIT	001	DRW			

Sheet 1 of 1

FESTO

DIN A2