

Individual “Clean Design” Valve, Type CDSV

Easy-to-clean and corrosion resistant

FESTO



The new individual Clean Design valve – simply a clean solution...

Designed to address the needs of specific environmental challenges commonly found in food handling and processing and other applications requiring easy-to-clean products.

Easy to clean

In accordance with hygienic design standards (DIN ISO 14159), the CDSV have no sharp edges or small corners where dirt can accumulate.

They are a compact, space-saving design available in four valve functions: 5/2-way single, 5/2-way double solenoid valve, 5/3-way valve, 2 x 3/2-way valve with protection classification to IP65 and IP67.

Adaptable

The CDSV valves can be used with a CDVI valve terminal in the 1st grid by means of a sub-base.

Quicker to install

With a ready-to-install prefitted cable – the Clean Design valves can be used without a stainless steel control cabinet.

Clean Design at the point of action

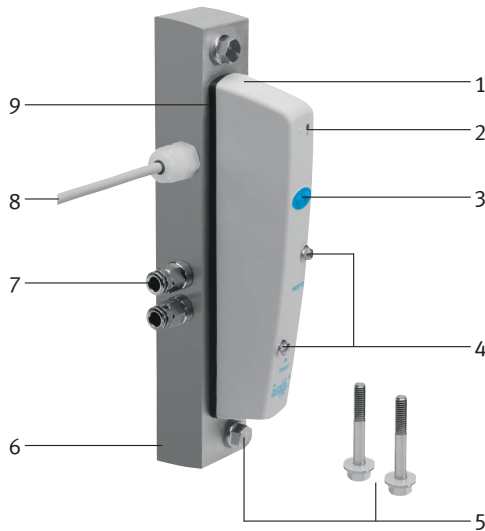
CDSV supplies compressed air to decentralized upstream machine parts and for other applications, while delivering faster cycles and lower air consumption.

CDSV.PSI.US

Product Short Information

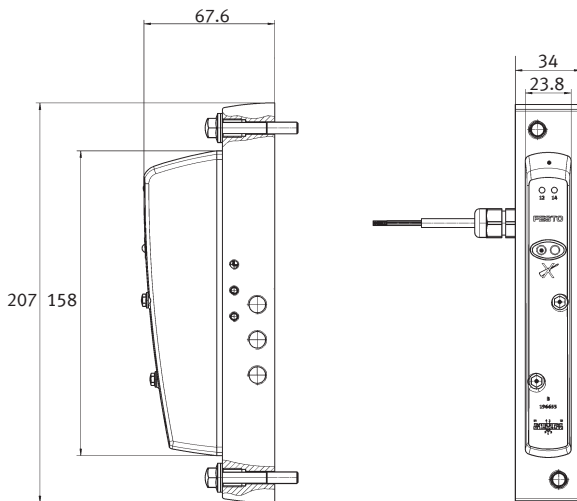
Individual “Clean Design” Valve, Type CDSV

Features



- | | |
|---|---|
| 1 Polymer material (PP) | 7 Push-in fittings QS-F
(nickel- and chrome-plated
brass) |
| 2 LED | 8 Chemical resistant multi-pin
cable |
| 3 Manual override | 9 Seal (EPDM) |
| 4 Stainless steel screws | |
| 5 Mounting set | |
| 6 Individual sub-base
(anodized aluminum, 20 µm) | |

Dimensions



Valve functions

The CDSV supports the following combinations:

- 5/2-way valve, single solenoid
- 5/2-way valve, double solenoid
- 5/3-way valve, exhausted,
pressurized or closed in mid-position
- 2 x 3/2-way valve, single solenoid,
2 x normally closed or normally open
or 1 x normally open, 1 x normally closed

Technical data	
Design	piston spool valve
Mounting position	any
Manual override	non-detenting
Corrosion resistance classification	CRC3 to FN 940 070 *
Dimensions	207/34/67.6 in mm (H/W/D)
Pneumatic data	
Medium	compressed air, filtered, lubricated or unlubricated
Grade of filtration	40 µm
Operating temperature	–5 ... +50 °C
Standard nominal flow rate	max. 650 l/min
Operating pressure:	
– 5/2-, 5/3-way valves	–0.9 ... 10 bar
– 2 x 3/2-way valves	3 ... 10 bar
pilot pressure	3 ... 6 bar
Pneumatic connections	G1/8" , M5
Electrical data	
Operating voltage	DC 24 V, ±10 %
Power consumption	1.5 W per solenoid coil (with LED)
Duty cycle	100 %
Protection class to EN 60 529	IP65/67 fully assembled

*CRC3: Corrosion resistance class to Festo standard 940 070 (Components requiring higher corrosion resistance. External visible parts in direct contact with industrial atmospheres or media such as solvents and cleaning agents, with a predominantly functional requirement for the surface).

Festo Corporation

Tel: 1.800.99.FESTO
Fax: 1.800.96.FESTO
E-mail: customerservice_us@festo.com
Web: www.festo.com/us