

Pressure Switches SDE5

Overview



- Programmable and configurable pressure switch for simple pressure sensing tasks
- Teach-in function for programming
- Integrated microprocessor
- Operating status indicated by an LED visible from all sides

Detailed product information → www.festo.com/catalog/sde5

Overview						
Method of measurement	Pressure measuring range [bar]	Type	Switching function	Switching element function	Pneumatic connection	Electrical connection
Piezoresistive pressure switch	0 ... -1	SDE5-V1	Threshold value with fixed hysteresis Window comparator	N/O contact Selectable	QS-4	Plug M8x1, 3-pin; cable, 3-wire
	0 ... 10	SDE5-D10	Freely programmable		QS-6	

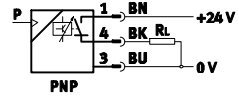
Contents	
- Technical Data	→ 158
- Ordering Data	→ 158
- Accessories	→ 159

Note: All metric products can be used within inch tubing systems via hybrid fittings (→ Overview on page 240)

Pressure Switches SDE5

Technical Data

Technical Data



e.g. N/O contact, PNP, with plug

Materials
Housing: Polyamide, polyacetate,
reinforced polyphenylene sulphide



General Technical Data

Operating voltage range	[V DC]	15 ... 30
Max. output current	[mA]	100
Switch output		PNP
Protection against short circuit		Pulsed
Protection against polarity reversal		For all electrical connections
Protection class		IP40
Operating medium		Compressed air in accordance with ISO 8573-1:2010 [7:4:4]
Note on operating/pilot medium		Operation with lubricated medium possible (in which case lubricated operation will always be required)
Ambient temperature	[°C]	0 ... 50
CE mark		In accordance with EU EMC directive
Certification		c UL us - Recognized (OL) C-Tick
Information on housing materials		Polyacetate, reinforced; polyamide; polyphenylene sulphide, reinforced

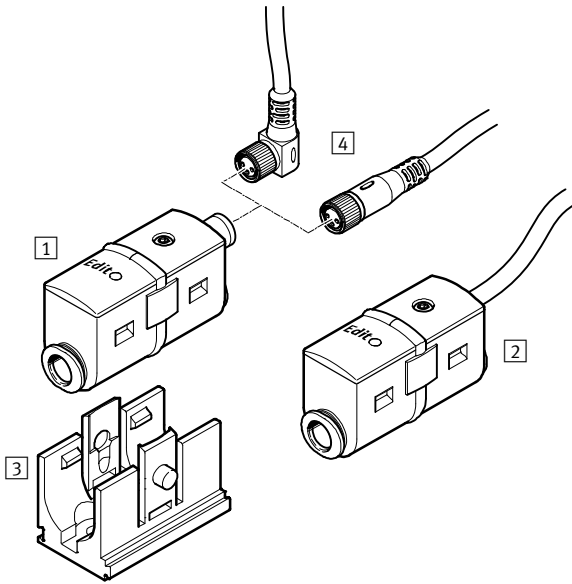
Ordering Data


Variant	Pressure measuring range [bar]	Switching element function	Electrical connection	Pneumatic connection		Part No.	Type	LT
				At one end	At both ends			
	Threshold value with fixed hysteresis, 1 teach-in pressure							
	0 ... -1	N/O contact	Plug, M8x1, 3-pin	-	QS-4	527457	SDE5-V1-O-Q4-P-M8	1D
				-	QS-6	527458	SDE5-V1-O-Q6-P-M8	1D
	0 ... 10	N/O contact	Plug, M8x1, 3-pin	QS-6	-	527467	SDE5-D10-O-Q6E-P-M8	1D
				-	QS-6	527464	SDE5-D10-O-Q6-P-M8	1D
	Window comparator with fixed hysteresis, 2 teach-in pressures							
0 ... 10	N/O contact	Cable, 3-wire, 1.0 m	QS-4	-	547010	SDE5-D10-03-Q4E-P-K-1.0	1D	
Freely programmable								
0 ... -1	Selectable	Plug, M8x1, 3-pin	-	QS-6	542887	SDE5-V1-FP-Q6-P-M8	1D	

LT = Lead time 1D typically ships same day/next day 3D typically ships within 3 days

Pressure Switches SDE5

Accessories



Ordering Data – Connecting Cables				Technical data → Internet: nebu	
	Number of wires	Cable length [m]	Part No.	Type	
M8x1, straight socket					
	3	2.5	541333	NEBU-M8G3-K-2.5-LE3	

Accessories	
1	Pressure switch SDE-5...-M8 with plug M8x1
2	Pressure switch SDE-5...-K with cable
3	Linkable wall bracket with clip-in facility for switches (included in the scope of delivery)
4	Connecting cable NEBU-M8

Lead Time LT for all products on this page: **1D** typically ships same day/next day