


Hygienic Butterfly Valve VZFA

Product range overview

Hygienic butterfly valve	Typ	Norm	Nominal diameter	Connection possibilities	Nominal pressure (bar)
	VZFA-C	Clamp OD	1"	Clamp / Clamp Welding / Welding Clamp / Welding	10
			1 1/2"		
			2"		
			2 1/2"		
			3"		
			4"		
VZFA-D	DIN	DN25	Welding / Welding Male / Male Nut / Nut Male / Nut	10	
		DN32			
		DN40			
		DN50			
		DN65			
		DN80			
		DN100			
VZFA-S	SMS	1"	Welding / Welding Male / Male Nut / Nut Male / Nut	10	
		1 1/2"			
		2"			
		2 1/2"			
		3"			
		4"			

Hygienic Butterfly Valve VZFA

Type Code VZFA

		VZFA	-	C	-	1"	-	C	C	-	V2	-	S4	-	E
Short Code															
VZFA	Hygienic butterfly valve for PA														
Norm															
C	Clamp OD														
D	DIN														
S	SMS														
Nominal diameter DN															
1"	1 inch														
1 1/2"	1 1/2 inches														
2"	2 inches														
2 1/2"	2 1/2 inches														
3"	3 inches														
4"	4 inches														
25	25 mm														
32	32 mm														
40	40 mm														
50	50 mm														
65	65 mm														
80	80 mm														
100	100 mm														
Connection 1															
C	Clamp														
M	Male														
N	Nut														
W	Welding														
Connection 2															
C	Clamp														
M	Male														
N	Nut														
W	Welding														
Material housing															
V2	AISI 304L (stainless steel 1.4306)														
V4	AISI 316L (stainless steel 1.4404)														
Material disc															
S4	AISI 316L (stainless steel 1.4404)														
Material sealing															
	NBR														
E	EPDM														
V	FPM														

Hygienic Butterfly Valve VZFA

Technical Data - stainless steel design



Nominal diameter
DN25...DN100
1" ...4"

- Connecting thread (VZFA-C/D): DIN11851, BS4825
- Connecting thread: (VZFA-S): SMS 1145

- for industrial segment food-, pharma-, chemistry-
industry



General technical data			
Type	VZFA-D...	VZFA-C...	VZFA-S...
Sealing principal	Soft		
Connection possibilities	Clamp, Welding, Male, Nut		
Actuation type	Mechanical		
Direction of flow	Reversible		
Type of mounting	In-line installation		
Assembly position	any		

Operating and environmental conditions			
Type	VZFA-D...	VZFA-C...	VZFA-S...
Operating medium	Water, neutral fluids		
Nominal pressure pN	10 bar		
Temperature of medium	-10°C ... +130°C		
Corrosion resist. class CRC	3 (version V2/S4), 4 (version V4/S4) ¹⁾		
FDA approval	Yes		

¹⁾ Corrosion resistance class 3/4 according to Festo standard 940 07Q

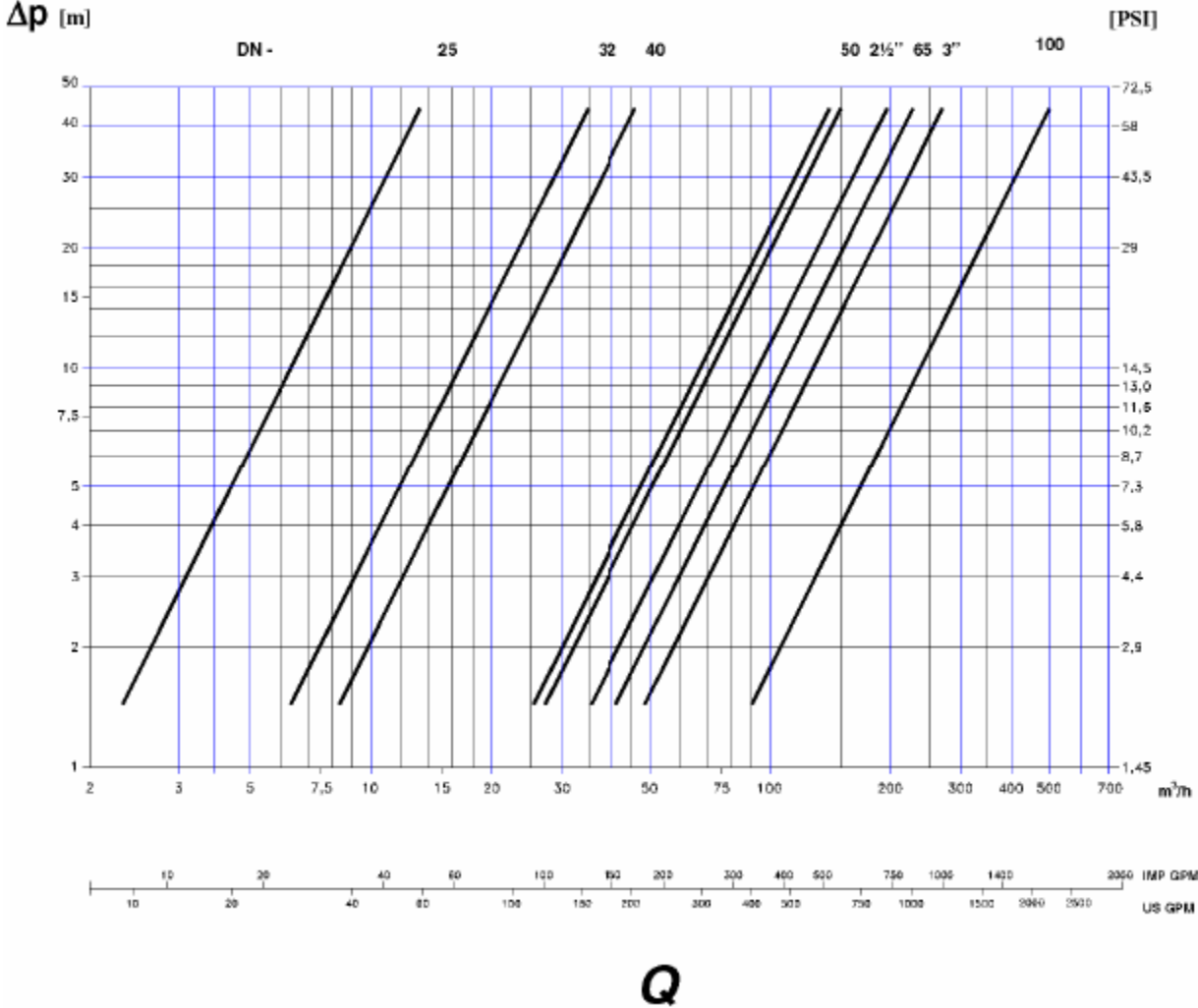
Materials	
Housing	AISI 304L (1.4306), AISI 316L (1.4404)
Disc	AISI 316L (1.4404)
Seals	EPDM

Torque							
Nominal diameter (DN)	25	32	40	50	65	80	100
Torque at nominal pr. pN (Nm)	8	9	10	14	18	20	25
Nominal diameter (inch)	1	1 1/2	2	2 1/2	3	4	
Torque at nominal pr. pN (Nm)	8	10	14	15	18	25	

Hygienic Butterfly Valve VZFA

Technical Data - stainless steel design

Pressure loss - Diagram

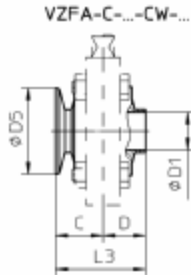
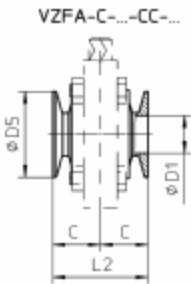
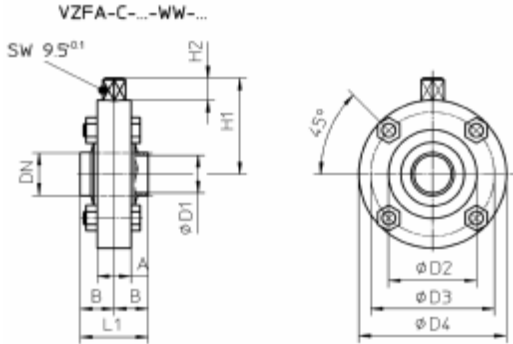


Valid for water without additives at 20°C.
Tolerances $\pm 5\%$

Max. pipe stream rate $\leq 2.5m/s$. Otherwise increased abrasion.

Hygienic Butterfly Valve VZFA

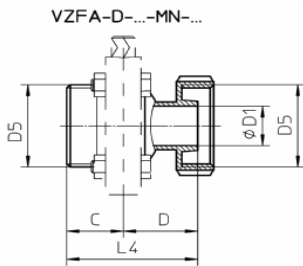
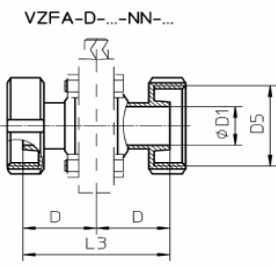
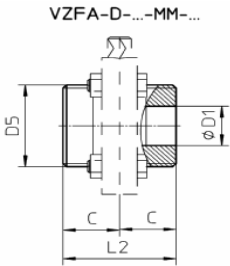
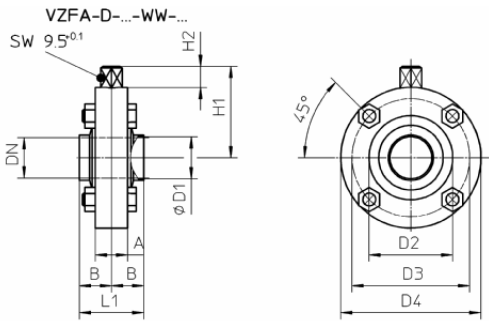
Technical Data - Dimensions VZFA-C...



VZFA-C...-VWV-...	A	B	C	D	D1	D2	D3	D4	D5	H1	H2	L1	L2	L3
1"	20	20			22.1	52	73	87		56.5	13	40		
1 1/2"	20	25			34.9	63	82.5	97		61.5	13	50		
2"	20	25			47.6	75	95.5	110		68	13	50		
2 1/2"	20	25			60.3	85	99.5	112		69	13	50		
3"	20	25			72.9	97	112.5	127		76.5	13	50		
4"	30	32			97.4	129	147.5	162		94	13	64		
VZFA-C...-CC-...	A	B	C	D	D1	D2	D3	D4	D5	H1	H2	L1	L2	L3
1"	20		32		22.1	52	73	87	50.5	56.5	13		64	
1 1/2"	20		36		34.9	63	82.5	97	50.5	61.5	13		72	
2"	20		36		47.6	75	95.5	110	65	68	13		72	
2 1/2"	20		38		60.3	85	99.5	112	77.5	69	13		76	
3"	20		38		72.9	97	112.5	127	91	76.5	13		76	
4"	30		52		97.4	129	147.5	162	119	94	13		104	
VZFA-C...-CW-...	A	B	C	D	D1	D2	D3	D4	D5	H1	H2	L1	L2	L3
1"	20		32	20	22.1	52	73	87	50.5	56.5	13			52
1 1/2"	20		36	25	34.9	63	82.5	97	50.5	61.5	13			61
2"	20		36	25	47.6	75	95.5	110	65	68	13			61
2 1/2"	20		38	25	60.3	85	99.5	112	77.5	69	13			63
3"	20		38	25	72.9	97	112.5	127	91	76.5	13			63
4"	30		52	32	97.4	129	147.5	162	119	94	13			84

Hygienic Butterfly Valve VZFA

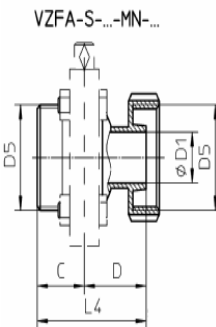
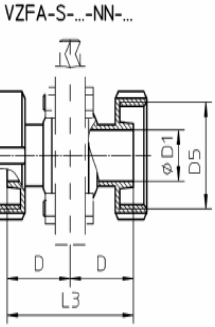
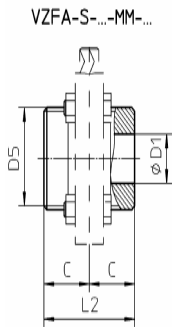
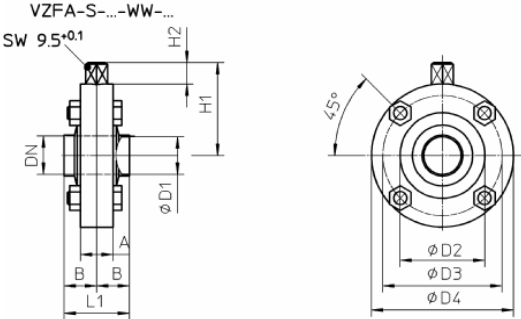
Technical Data - Dimensions VZFA-D...



VZFA-D-...-WW-...	A	B	C	D	D1	D2	D3	D4	D5	H1	H2	L1	L2	L3	L4
DN25	20	20			26	52	73	87		56.5	13	40			
DN32	20	21			32	56	78	92		59	13	42			
DN40	20	25			38	63	82.5	97		61.5	13	50			
DN50	20	25			50	75	95.5	110		68	13	50			
DN65	20	25			66	94	112.5	127		76.5	13	50			
DN80	30	30			81	108	127.5	142		84	13	60			
DN100	30	32			100	129	147.5	162		94	13	64			
VZFA-D-...-MM-...															
DN25	20		32		26	52	73	87	Rd52x1/6	56.5	13		64		
DN32	20		32		32	56	78	92	Rd58x1/6	59	13		64		
DN40	20		36		38	63	82.5	97	Rd65x1/6	61.5	13		72		
DN50	20		36		50	75	95.5	110	Rd78x1/6	68	13		72		
DN65	20		38		66	94	112.5	127	Rd95x1/6	76.5	13		76		
DN80	30		50		81	108	127.5	142	Rd110x1/4	84	13		100		
DN100	30		52		100	129	147.5	162	Rd130x1/4	94	13		104		
VZFA-D-...-NN-...															
DN25	20			42	26	52	73	87	Rd52x1/6	56.5	13			84	
DN32	20			46	32	56	78	92	Rd58x1/6	59	13			92	
DN40	20			51	38	63	82.5	97	Rd65x1/6	61.5	13			102	
DN50	20			53	50	75	95.5	110	Rd78x1/6	68	13			106	
DN65	20			57	66	94	112.5	127	Rd95x1/6	76.5	13			114	
DN80	30			67	81	108	127.5	142	Rd110x1/4	84	13			134	
DN100	30			76	100	129	148	162	Rd130x1/4	94	13			152	
VZFA-D-...-MN-...															
DN25	20		32	42	26	52	73	87	Rd52x1/6	56,5	13				74
DN32	20		32	46	32	56	78	92	Rd58x1/6	59	13				78
DN40	20		36	51	38	63	82,5	97	Rd65x1/6	61,5	13				87
DN50	20		36	53	50	75	95,5	110	Rd78x1/6	68	13				89
DN65	20		8	57	66	94	112,5	127	Rd95x1/6	76,5	13				95
DN80	30		50	67	81	108	127,5	124	Rd110x1/4	84	13				117
DN100	30		52	76	100	129	148	162	Rd130x1/4	94	13				128

Hygienic Butterfly Valve VZFA

Technical Data - Dimensions VZFA-S...



VZFA-S...-VWV-...	A	B	C	D	D1	D2	D3	D4	D5	H1	H2	L1	L2	L3	L4
1"	20	20			22.1	52	73	87		56.5	13	40			
1 1/2"	20	25			39.4	63	82.5	97		61.5	13	50			
2"	20	25			47.6	75	95.5	110		68	13	50			
2 1/2"	20	25			60.3	85	99.5	112		69	13	50			
3"	20	25			72.9	97	112.5	127		76.5	13	50			
4"	30	32			97.4	129	147.5	162		94	13	64			
VZFA-S...-MM-...															
1"	20		32		22.1	52	73	87	Rd40x1/6"	56.5	13		64		
1 1/2"	20		36		39.4	63	82.5	97	Rd60x1/6"	61.5	13		72		
2"	20		36		47.6	75	95.5	110	Rd70x1/6"	68	13		72		
2 1/2"	20		38		60.3	85	99.5	112	Rd85x1/6"	69	13		76		
3"	20		38		72.9	97	112.5	127	Rd98x1/6"	76.5	13		76		
4"	30		52		97.4	129	147.5	162	Rd125x1/4"	94	13		104		
VZFA-S...-NN-...															
1"	20			35	22.1	52	73	87	Rd40x1/6"	56.5	13			70	
1 1/2"	20			45	39.4	63	82.5	97	Rd60x1/6"	61.5	13			90	
2"	20			45	47.6	75	95.5	110	Rd70x1/6"	68	13			90	
2 1/2"	20			49	60.3	85	95.5	112	Rd85x1/6"	69	13			98	
3"	20			49	72.9	97	112.5	127	Rd98x1/6"	76.5	13			98	
4"	30			62	97.4	129	147.5	162	Rd125x1/4"	94	13			124	
VZFA-S...-MN-...															
1"	20		32	35	22.1	52	73	87	Rd40x1/6"	56.5	13				67
1 1/2"	20		36	45	39.4	63	82.5	97	Rd60x1/6"	61.5	13				81
2"	20		36	45	47.6	75	95.5	110	Rd70x1/6"	68	13				81
2 1/2"	20		38	49	60.3	85	95.5	112	Rd85x1/6"	69	13				87
3"	20		38	49	72.9	97	112.5	127	Rd98x1/6"	76.5	13				87
4"	30		52	62	97.4	129	147.5	162	Rd125x1/4"	94	13				114

Hygienic Butterfly Valve VZFA

Part List

Diameter	Norm	Connection 1	Connection 2	Housing	Part no.	
1"	Clamp OD	Clamp	Clamp	AISI 304L (1.4306)	551777	
1"	Clamp OD	Clamp	Clamp	AISI 316L (1.4404)	551785	
1"	Clamp OD	Clamp	Welding	AISI 304L (1.4306)	551809	
1"	Clamp OD	Clamp	Welding	AISI 316L (1.4404)	551817	
1"	Clamp OD	Welding	Welding	AISI 304L (1.4306)	551793	
1"	Clamp OD	Welding	Welding	AISI 316L (1.4404)	551801	
1 1/2"	Clamp OD	Clamp	Clamp	AISI 304L (1.4306)	551778	
1 1/2"	Clamp OD	Clamp	Clamp	AISI 316L (1.4404)	551786	
1 1/2"	Clamp OD	Clamp	Welding	AISI 304L (1.4306)	551810	
1 1/2"	Clamp OD	Clamp	Welding	AISI 316L (1.4404)	551818	
1 1/2"	Clamp OD	Welding	Welding	AISI 304L (1.4306)	551794	
1 1/2"	Clamp OD	Welding	Welding	AISI 316L (1.4404)	551802	
2"	Clamp OD	Clamp	Clamp	AISI 304L (1.4306)	551779	
2"	Clamp OD	Clamp	Clamp	AISI 316L (1.4404)	551787	
2"	Clamp OD	Clamp	Welding	AISI 304L (1.4306)	551811	
2"	Clamp OD	Clamp	Welding	AISI 316L (1.4404)	551819	
2"	Clamp OD	Welding	Welding	AISI 304L (1.4306)	551795	
2"	Clamp OD	Welding	Welding	AISI 316L (1.4404)	551803	
2 1/2"	Clamp OD	Clamp	Clamp	AISI 304L (1.4306)	551780	
2 1/2"	Clamp OD	Clamp	Clamp	AISI 316L (1.4404)	551788	
2 1/2"	Clamp OD	Clamp	Welding	AISI 304L (1.4306)	551812	
2 1/2"	Clamp OD	Clamp	Welding	AISI 316L (1.4404)	551820	
2 1/2"	Clamp OD	Welding	Welding	AISI 304L (1.4306)	551796	
2 1/2"	Clamp OD	Welding	Welding	AISI 316L (1.4404)	551804	
3"	Clamp OD	Clamp	Clamp	AISI 304L (1.4306)	551781	
3"	Clamp OD	Clamp	Clamp	AISI 316L (1.4404)	551789	
3"	Clamp OD	Clamp	Welding	AISI 304L (1.4306)	551813	
3"	Clamp OD	Clamp	Welding	AISI 316L (1.4404)	551821	
3"	Clamp OD	Welding	Welding	AISI 304L (1.4306)	551797	
3"	Clamp OD	Welding	Welding	AISI 316L (1.4404)	551805	
4"	Clamp OD	Clamp	Clamp	AISI 304L (1.4306)	551782	
4"	Clamp OD	Clamp	Clamp	AISI 316L (1.4404)	551790	
4"	Clamp OD	Clamp	Welding	AISI 304L (1.4306)	551814	
4"	Clamp OD	Clamp	Welding	AISI 316L (1.4404)	551822	
4"	Clamp OD	Welding	Welding	AISI 304L (1.4306)	551798	
4"	Clamp OD	Welding	Welding	AISI 316L (1.4404)	551806	

Diameter	Norm	Connection 1	Connection	Housing	Part no.	
DN32	DIN	Nut	Nut	AISI 304L (1.4306)	551867	
DN32	DIN	Nut	Nut	AISI 316L (1.4404)	551877	
DN32	DIN	Welding	Welding	AISI 304L (1.4306)	551827	
DN32	DIN	Welding	Welding	AISI 316L (1.4404)	551837	
DN40	DIN	Male	Male	AISI 304L (1.4306)	551848	
DN40	DIN	Male	Male	AISI 316L (1.4404)	551858	
DN40	DIN	Male	Nut	AISI 304L (1.4306)	551888	
DN40	DIN	Male	Nut	AISI 316L (1.4404)	551898	
DN40	DIN	Nut	Nut	AISI 304L (1.4306)	551868	
DN40	DIN	Nut	Nut	AISI 316L (1.4404)	551878	
DN40	DIN	Welding	Welding	AISI 304L (1.4306)	551828	
DN40	DIN	Welding	Welding	AISI 316L (1.4404)	551838	
DN50	DIN	Male	Male	AISI 304L (1.4306)	551849	
DN50	DIN	Male	Male	AISI 316L (1.4404)	551859	
DN50	DIN	Male	Nut	AISI 304L (1.4306)	551889	
DN50	DIN	Male	Nut	AISI 316L (1.4404)	551899	
DN50	DIN	Nut	Nut	AISI 304L (1.4306)	551869	
DN50	DIN	Nut	Nut	AISI 316L (1.4404)	551879	
DN50	DIN	Welding	Welding	AISI 304L (1.4306)	551829	
DN50	DIN	Welding	Welding	AISI 316L (1.4404)	551839	
DN65	DIN	Male	Male	AISI 304L (1.4306)	551850	
DN65	DIN	Male	Male	AISI 316L (1.4404)	551860	
DN65	DIN	Male	Nut	AISI 304L (1.4306)	551890	
DN65	DIN	Male	Nut	AISI 316L (1.4404)	551900	
DN65	DIN	Nut	Nut	AISI 304L (1.4306)	551870	
DN65	DIN	Nut	Nut	AISI 316L (1.4404)	551880	
DN65	DIN	Welding	Welding	AISI 304L (1.4306)	551830	
DN65	DIN	Welding	Welding	AISI 316L (1.4404)	551840	
DN80	DIN	Male	Male	AISI 304L (1.4306)	551851	
DN80	DIN	Male	Male	AISI 316L (1.4404)	551861	
DN80	DIN	Male	Nut	AISI 304L (1.4306)	551891	
DN80	DIN	Male	Nut	AISI 316L (1.4404)	551901	
DN80	DIN	Nut	Nut	AISI 304L (1.4306)	551871	
DN80	DIN	Nut	Nut	AISI 316L (1.4404)	551881	
DN80	DIN	Welding	Welding	AISI 304L (1.4306)	551831	
DN80	DIN	Welding	Welding	AISI 316L (1.4404)	551841	
DN100	DIN	Male	Male	AISI 304L (1.4306)	551852	
DN100	DIN	Male	Male	AISI 316L (1.4404)	551862	
DN100	DIN	Male	Nut	AISI 304L (1.4306)	551892	
DN100	DIN	Male	Nut	AISI 316L (1.4404)	551902	
DN100	DIN	Nut	Nut	AISI 304L (1.4306)	551872	
DN100	DIN	Nut	Nut	AISI 316L (1.4404)	551882	
DN100	DIN	Welding	Welding	AISI 304L (1.4306)	551832	
DN100	DIN	Welding	Welding	AISI 316L (1.4404)	551842	

Diameter	Norm	Connection 1	Connection	Housing	Part no.	
1"	SMS	Male	Male	AISI 304L (1.4306)	551921	
1"	SMS	Male	Male	AISI 316L (1.4404)	551929	
1"	SMS	Male	Nut	AISI 304L (1.4306)	551953	
1"	SMS	Male	Nut	AISI 316L (1.4404)	551961	
1"	SMS	Nut	Nut	AISI 304L (1.4306)	551937	
1"	SMS	Nut	Nut	AISI 316L (1.4404)	551945	
1"	SMS	Welding	Welding	AISI 304L (1.4306)	551905	
1"	SMS	Welding	Welding	AISI 316L (1.4404)	551913	
1 1/2"	SMS	Male	Male	AISI 304L (1.4306)	551922	
1 1/2"	SMS	Male	Male	AISI 316L (1.4404)	551930	
1 1/2"	SMS	Male	Nut	AISI 304L (1.4306)	551954	
1 1/2"	SMS	Male	Nut	AISI 316L (1.4404)	551962	
1 1/2"	SMS	Nut	Nut	AISI 304L (1.4306)	551938	
1 1/2"	SMS	Nut	Nut	AISI 316L (1.4404)	551946	
1 1/2"	SMS	Welding	Welding	AISI 304L (1.4306)	551906	
1 1/2"	SMS	Welding	Welding	AISI 316L (1.4404)	551914	
2"	SMS	Male	Male	AISI 304L (1.4306)	551923	
2"	SMS	Male	Male	AISI 316L (1.4404)	551931	
2"	SMS	Male	Nut	AISI 304L (1.4306)	551955	
2"	SMS	Male	Nut	AISI 316L (1.4404)	551963	
2"	SMS	Nut	Nut	AISI 304L (1.4306)	551939	
2"	SMS	Nut	Nut	AISI 316L (1.4404)	551947	
2"	SMS	Welding	Welding	AISI 304L (1.4306)	551907	
2"	SMS	Welding	Welding	AISI 316L (1.4404)	551915	
2 1/2"	SMS	Male	Male	AISI 304L (1.4306)	551924	
2 1/2"	SMS	Male	Male	AISI 316L (1.4404)	551932	
2 1/2"	SMS	Male	Nut	AISI 304L (1.4306)	551956	
2 1/2"	SMS	Male	Nut	AISI 316L (1.4404)	551964	
2 1/2"	SMS	Nut	Nut	AISI 304L (1.4306)	551940	
2 1/2"	SMS	Nut	Nut	AISI 316L (1.4404)	551948	
2 1/2"	SMS	Welding	Welding	AISI 304L (1.4306)	551908	
2 1/2"	SMS	Welding	Welding	AISI 316L (1.4404)	551916	
3"	SMS	Male	Male	AISI 304L (1.4306)	551925	
3"	SMS	Male	Male	AISI 316L (1.4404)	551933	
3"	SMS	Male	Nut	AISI 304L (1.4306)	551957	
3"	SMS	Male	Nut	AISI 316L (1.4404)	551965	
3"	SMS	Nut	Nut	AISI 304L (1.4306)	551941	
3"	SMS	Nut	Nut	AISI 316L (1.4404)	551949	
3"	SMS	Welding	Welding	AISI 304L (1.4306)	551909	
3"	SMS	Welding	Welding	AISI 316L (1.4404)	551917	
4"	SMS	Male	Male	AISI 304L (1.4306)	551926	
4"	SMS	Male	Male	AISI 316L (1.4404)	551934	
4"	SMS	Male	Nut	AISI 304L (1.4306)	551958	
4"	SMS	Male	Nut	AISI 316L (1.4404)	551966	
4"	SMS	Nut	Nut	AISI 304L (1.4306)	551942	
4"	SMS	Nut	Nut	AISI 316L (1.4404)	551950	
4"	SMS	Welding	Welding	AISI 304L (1.4306)	551910	
4"	SMS	Welding	Welding	AISI 316L (1.4404)	551918	