

FIRST Valve Assembly/Operating Instructions



FIRST Valve Assembly Components

- #566475 –24V double solenoid valve – VUVG-L10-B52-T-M7-1P3 –1 pc.
- #183740 –push/pull fitting, M7 thread –QSM-M7-1/4-I-U-M –3 pcs.
- #566716 –e-box –VAVE-L1-1H2-LR –2 pcs.
- #566654 –1/2 meter cable –NEBV-H1G2-KN-0.5-N-LE2 –2 pcs.

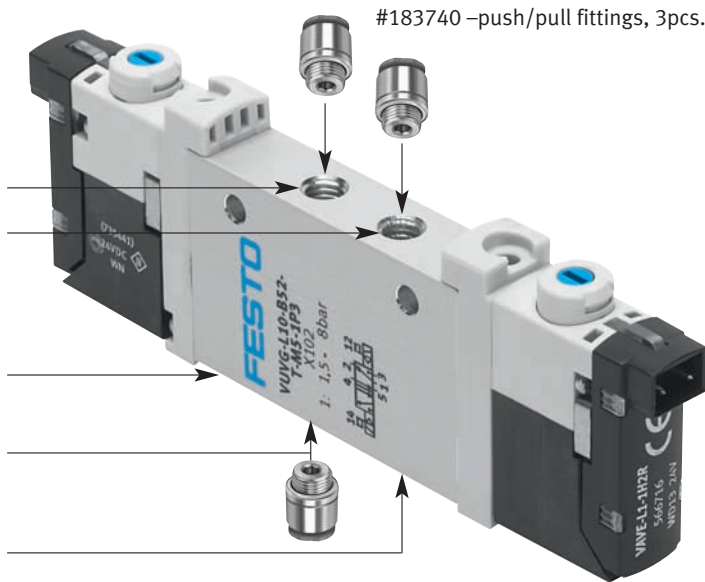
Basic Valve Data

The VUVG-L10-B52-T-M7-1P3 is a 5/2 dual solenoid piloted valve. The valve has M7 ports and is operated with a 24V DC signal. The maximum air flow is 11.3 cfm. The weight of the valve including the fittings and cables is 0.2 lbs.

Typical Pneumatic Connection

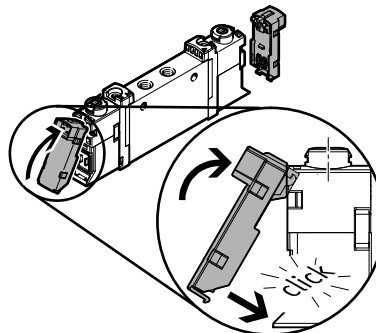
The pneumatic connection for typical cylinder would be as follows:

- Port 4** – To cylinder back end (insert fitting here)
- Port 2** – To cylinder front end (insert fitting here)
- Port 5** – Exhaust from port 4 (to atmosphere)
- Port 1** – Pressure supply (insert fitting here)
- Port 3** – Exhaust from port 2 (to atmosphere)



Electrical Connection

Connect the e-box's (separate component VAVE..) to each end of the valve as shown in the picture below. After this connection is secured connect the supplied cables to the connectors. Attached one end of each cable to a +24V DC signal and the other to a 0V DC signal. When the valve is switched on the LED will turn on.



Wiring:

Red: +24V DC
Black: 0V DC

Operation

To extend the cylinder activate coil 14 for at least 30 mSec. To retract cylinder activate coil 12 for at least 30 mSec. Following the activation time the coil can be deactivated without switching positions. Verify that both coils are not activated simultaneously. A minimum of 25 psi should be supplied Port 1.

Manual Override

To operate the valve without electrical current depress the blue button for a temporary time or depress and turn to maintain the activation. The valve will not return to original state unless it receives an electrical signal at the coil or manual override operation.

Festo Corporation

For ordering assistance, or to find your nearest Festo Distributor,
Call: 1.800.99.FESTO
Fax: 1.800.96.FESTO
Email: customer.service@us.festo.com
Visit: www.festo.com/us

For technical support,
Call: 1.866.GO.FESTO
Fax: 1.800.96.FESTO
Email: product.support@us.festo.com